

## PRESSURISERS

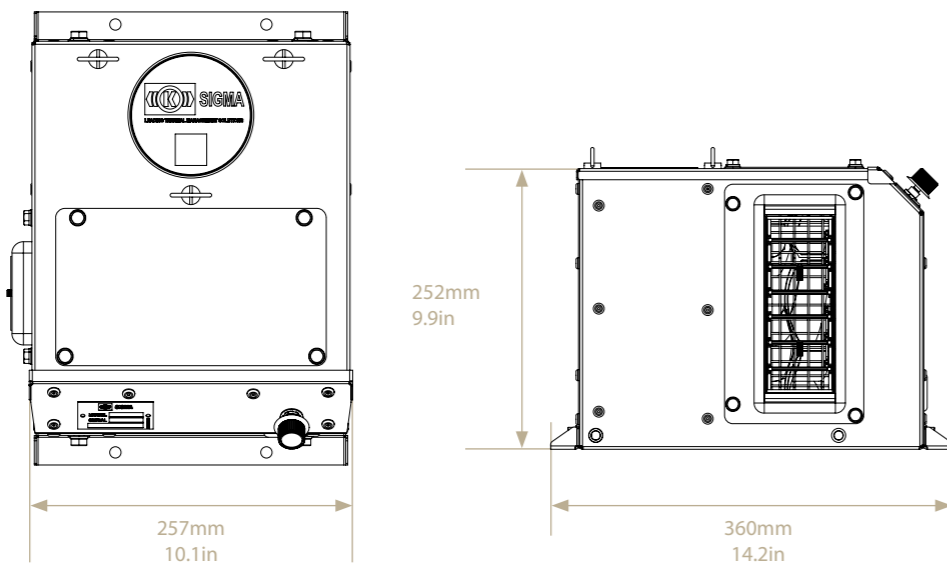
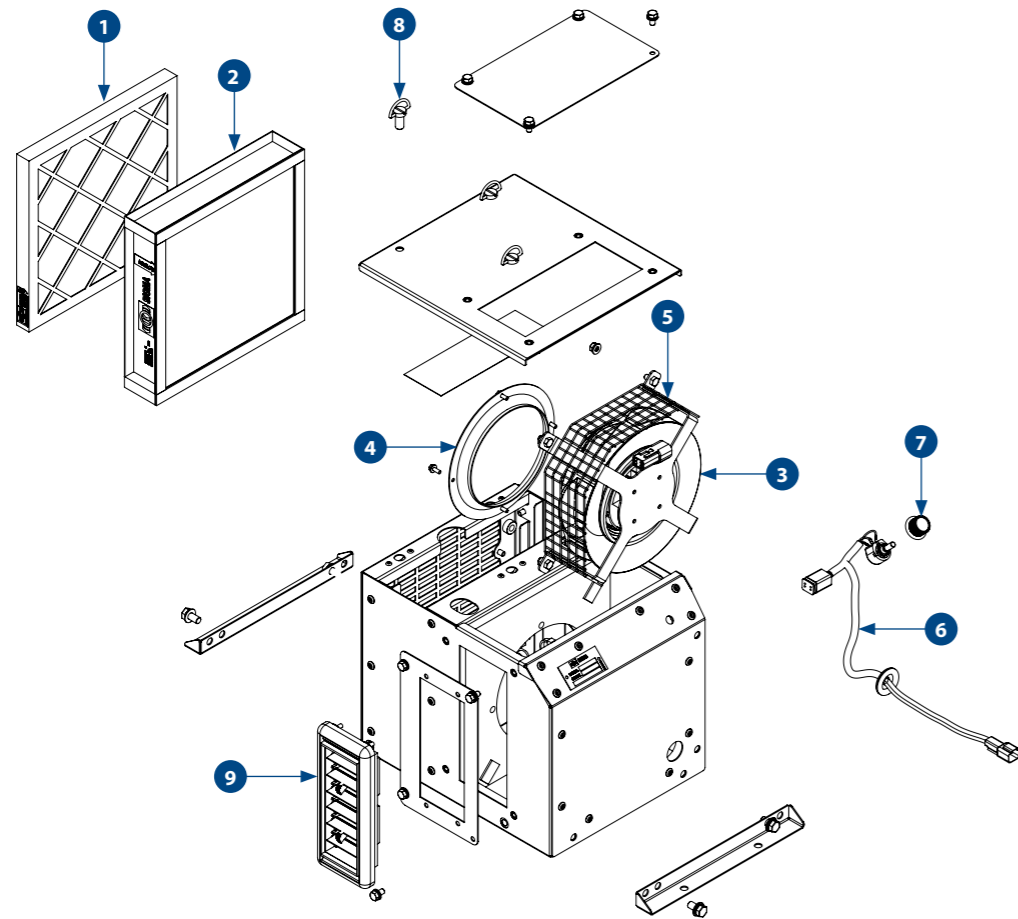
Developed for environments containing gaseous or fibrous contaminants, the filter/pressuriser systems contain up to five (5) stages of filtration. The first two (2) stages of filtration efficiently remove sub-micron particulate from outside air, following by stage 3 customised filtration media to remove the specific gaseous or fibrous contaminant and finally stage 5 HEPA filtration

MODEL	PAGE
CUBE RECIRCULATION SYSTEM WITH <b>HEPA</b> FILTER (H0672785) 24V	6
FPS55 WITH <b>HEPA</b> FILTER (H0111417) 24V	8
<b>FVV40</b> BRUSHLESS VARIABLE MOTOR PRESSURISER WITH <b>HEPA</b> FILTER	10 - 11
H0481841 ROOF MOUNT	10
H0614665 WALL MOUNT	10
H0673983 WALL MOUNT 270	10
H0673984 WALL MOUNT	10
FVV50M1 415VAC	12
FVV100MR1 415VAC	14
PVV50B2 24V - UPTO 5 STAGE FILTRATION	16
PVV50M2 415VAC - UPTO 5 STAGE FILTRATION	18

**H0672785**  
Brushless Air Recirculation System

**AIR FLOW**  
35 - 70 l/s  
74 - 148 CFM

**POWER SUPPLY**  
24VDC



**SPARE PARTS**

PART NO.	DESCRIPTION	QTY
1	H0673063 F7 AIR FILTER 240X240X20MM	1
2	H0673064 H13 HEPA AIR FILTER 240x240x50MM	1
3	H0654134 CENTRIFUGAL FAN ASSEMBLY Ø190	1
4	H0504033 INLET RING Ø125.5 ID X Ø170 ID	1
5	H0673065 RECIRC CUBE WELDED SPIDER	1
6	H0694453 RECIRC CUBE WIRING HARNESS	1
7	UC451 KNOB 1/4 BLACK PLASTIC 21MM DIAMETER	1
8	UC031 FASTENER ASSEMBLY 1/4 TURN - STUD & RECEIPT	3
9	AU821707 DIFFUSER 196X83MM	1

**SPECIFICATIONS**

	METRIC	IMPERIAL
Fan Speeds	Continuous Variable	Continuous Variable
Air Flow	35 - 70 l/s	74 - 148 CFM
Power Supply	24 VDC	24 VDC
Current Draw	5.8 A	5.8 A
Weight (nominal)	9.5 Kg	20.9 lbs
Dimension (L X W X H)	257 mm X 360 mm X 252 mm	10.1 in X 14.2 in X 9.9 in

**MAINTENANCE**

3 MONTHS / 900 HOURS

H0673063 F7 AIR FILTER 240X240X20MM

ANNUAL / 3,600 HOURS

H0673064 H13 HEPA AIR FILTER

5 YEARS / 20,000 HOURS

H0654134 CENTRIFUGAL FAN ASSEMBLY Ø190

**MOUNTING OPTIONS**

Floor-mounted



Wall-mounted



**H13 HEPA FILTRATION**

PART NO.	DESCRIPTION
PART NO.	H0673064
HEPA GRADE	H13
TEST STANDARD	EN 1822 or equivalent
FILTRATION EFFICIENCY	*99.95% for particles diameter 0.3 µm
FILTER DIMENSION	240x240x50 mm

\*On qualified cabins

**COMPANION ITEMS**

PART NO.	DESCRIPTION
H0481841	Fresh Air Pressuriser, ROOF MOUNT
H0614665	Fresh Air Pressuriser, WALL MOUNT
H0673983	Fresh Air Pressuriser, WALL MOUNT 270
H0673984	Fresh Air Pressuriser, WALL MOUNT
H0111417	Compact HEPA Filtration Pressuriser System
PVV50B2	Fresh Air Multi Stage Filtration (HEPA) & Pressuriser
H0552762	Internal sensor, including software
H0552763	External sensor, including software
H0552778	Controller, Air quality
H0548482	Wiring Harness, Air Quality
H0614665	24V Brushless Fan Pressuriser 270



# FPS55

PRESSURISER

**H0111417**

Compact HEPA Filtration Pressuriser System

**AIR FLOW**  
22 l/s  
42 CFM

**POWER SUPPLY**  
24VDC



## SPARE PARTS

PART NO.	DESCRIPTION	QTY
1	H0116836 FILTER 16 / 79ID x 206OD x 288H EN15695	1
2	AU460748 CENTRIFUGAL PRE-CLEANER	1
3	H0133899 2-1/2 INCH ADAPTOR	1
4	H0133903 24V MOTOR W / MOTOR MOUNTING	1
5	H0133900 FILTER ACCESS PANEL, SERIES SS	1

## WHY HEPA FILTER?

### BREATHE EASIER WITH THE SIGMA HEPA FILTER

The Workplace Health & Safety (WHS) and Mine Safety & Health Administration (MSHA) solution for dust saturated atmospheres and harmful toxic working environments.

Ensuring cabin air is safe to breathe and free from airborne contaminants including pesticide, asbestos, silica dust, fine coal dust and diesel particulate matter. To ensure risk for the coal mine operators is at an acceptable level.

## SPECIFICATIONS

	METRIC	IMPERIAL
Fan Speeds	1	1
Air Flow	22 l/s	47 CFM
Power Supply	24 VDC	24 VDC
Current Draw	1.6 A	1.6 A
Weight (nominal)	20.0 Kg	44.0 lbs
Dimension (L X W X H)	475 mm X 240 mm X 360 mm	18.70 in X 9.44 in X 14.17 in

## MAINTENANCE

### MONTHLY / 300 HOURS

H0116835	FILTER 16 / 79ID X 206OD X 288 H
H0116836	FILTER 16 / 79ID X 206OD X 288 H EN15695

### 3 YEARS / 10,800 HOURS

H0133903	24V MOTOR W / MOTOR MOUNTING
H0133904	12V MOTOR W / MOTOR MOUNTING
AU460748	CENTRIFUGAL PRE-CLEANER

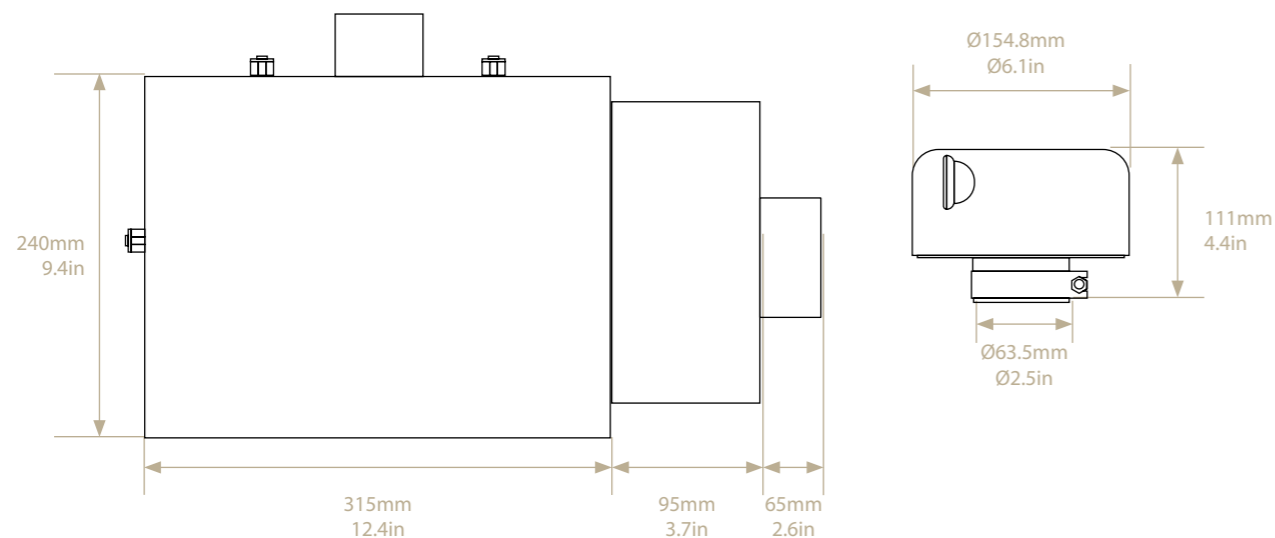
## H13 HEPA FILTER

PART NO.	DESCRIPTION
PART NO.	H0116836
HEPA GRADE	H13
FILTRATION EFFICIENCY	*99.95% for particles diameter 0.3 µm
FILTER DIMENSION	206 mm OD x 288 mm

\*On qualified cabins

## COMPANION ITEMS

PART NO.	DESCRIPTION
H0133905	3 INCH INLET ADAPTOR
KNHV90073	GENERIC SITE INSTALL KIT
AU682070 KIT500001	AIR FLOW AND MONITORING SWITCH AIR FLOW SWITCH DUCT SUITS
H0552762 H0552763 H0552775 H0548482	INTERNAL SENSOR, INCLUDING SOFTWARE EXTERNAL SENSOR, INCLUDING SOFTWARE DISPLAY WITH SOFTWARE, RS485-CAN WIRING HARNESS, AIR QUALITY, MAIN CAB





# FVV40

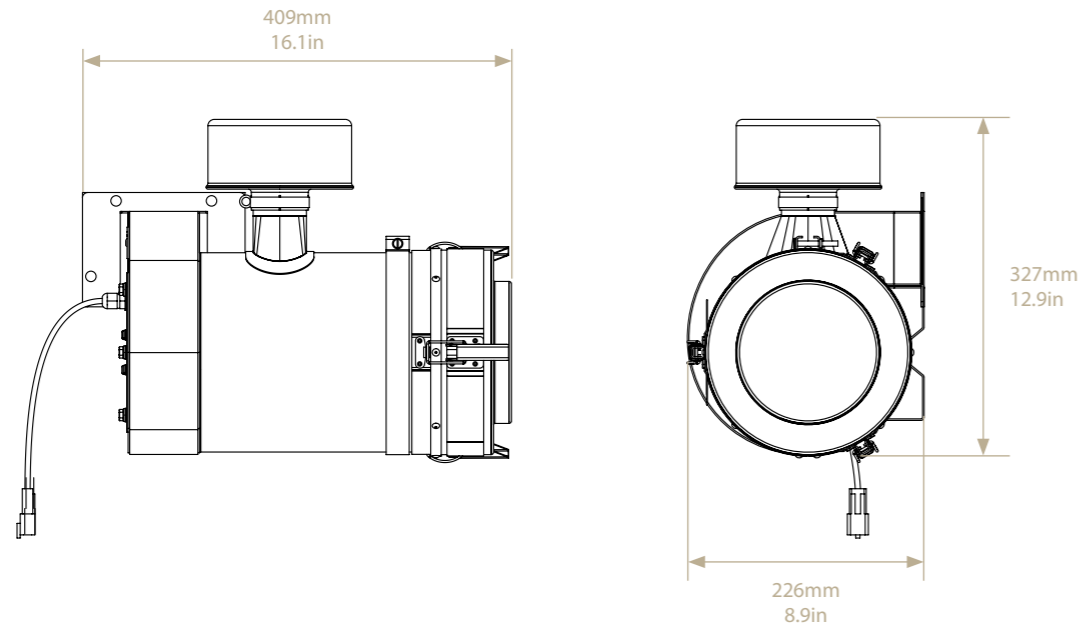
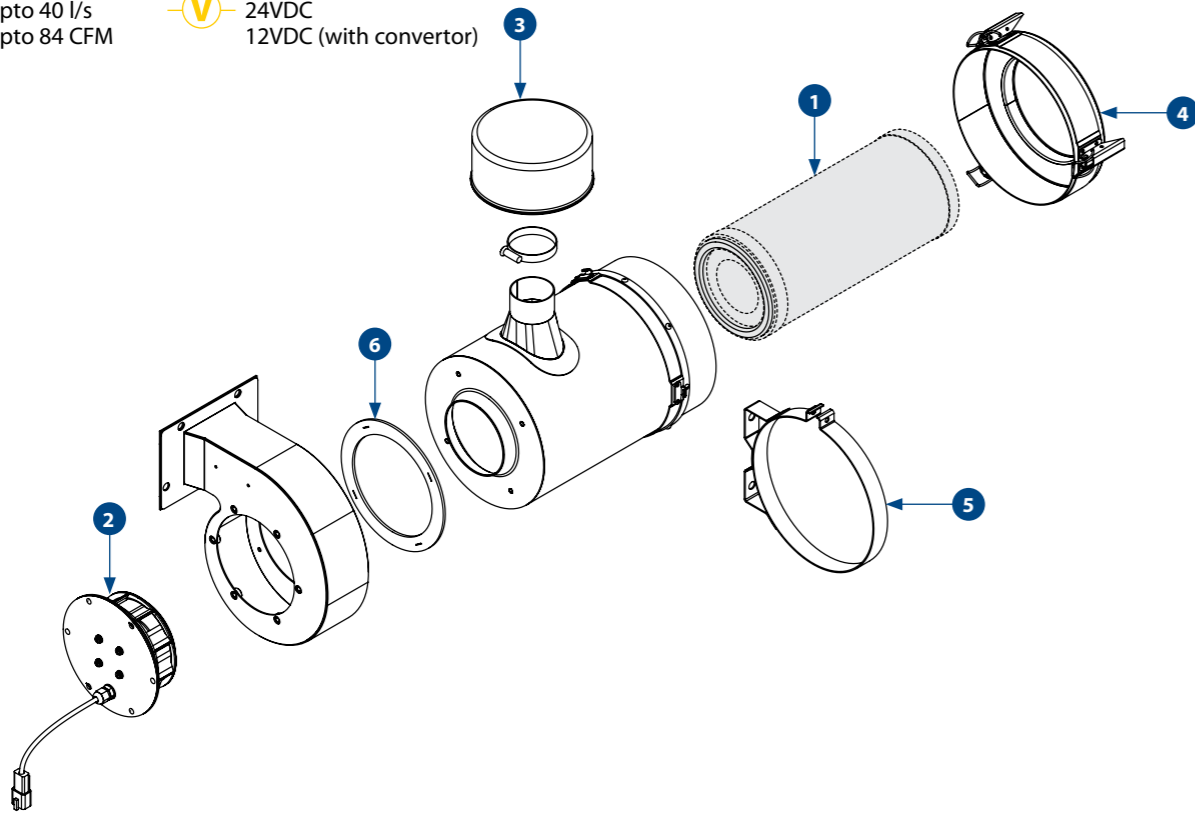
BRUSHLESS VARIABLE FAN MOTOR PRESSURISER

- H0481841**  
Fresh Air Pressuriser, ROOF MOUNT
- H0614665**  
Fresh Air Pressuriser, WALL MOUNT
- H0673983**  
Fresh Air Pressuriser, WALL MOUNT 270
- H0673984**  
Fresh Air Pressuriser, WALL MOUNT



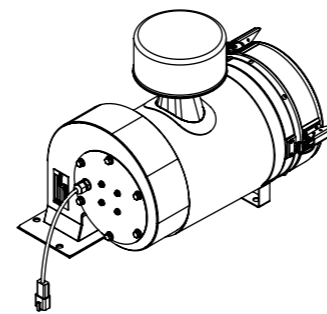
**AIR FLOW**  
upto 40 l/s  
upto 84 CFM

**POWER SUPPLY**  
24VDC  
12VDC (with convertor)

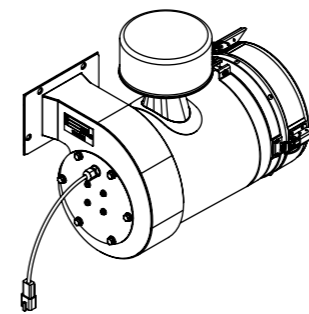


## SPARE PARTS

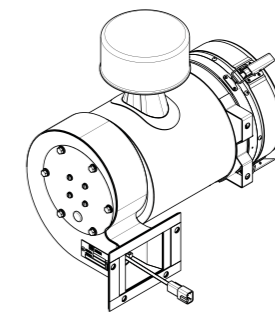
PART NO.	DESCRIPTION	QTY
<b>OPTIONAL FILTER (SOLD SEPARATELY)</b>		
1	H0602294 H13 HEPA FILTER	1
	H0602295 F7 FILTER	1
2	H0654966 FAN MOTOR ASSEMBLY FOR H0614665 & H0481841	1
	H0679908 FAN MOTOR ASSEMBLY FOR H0673983 & H0673984	1
3	H0602293 PRE CLEANER TS 2" INLET	1
4	H0482389 AIR CLEANER CAP	1
5	H0484682 MOUNTING BAND AIR CLEANER 7.5" DIA	1
6	H0615028 SEAL GASKET CANISTER	1



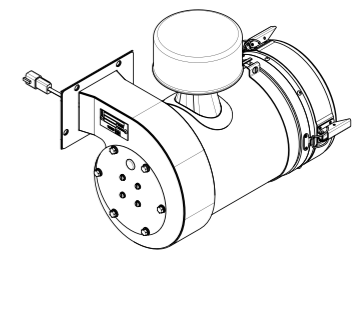
**H0481841**  
Fresh Air Pressuriser,  
ROOF MOUNT



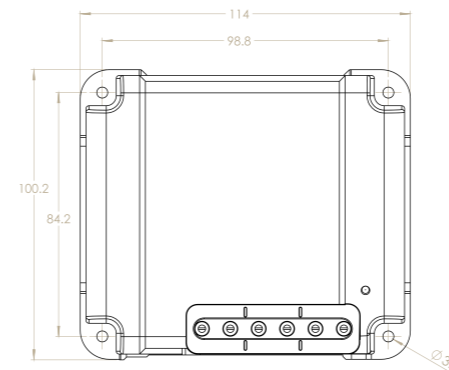
**H0614665**  
Fresh Air Pressuriser,  
WALL MOUNT



**H0673983**  
Fresh Air Pressuriser,  
WALL MOUNT 270



**H0673984**  
Fresh Air Pressuriser,  
WALL MOUNT



**H0694212**  
DC/DC CONVERTER  
12V to 24V 5A 120W

## H13 HEPA FILTRATION OPTION

PART NO.	DESCRIPTION
PART NO.	H0602294
HEPA GRADE	H13
TEST STANDARD	EN 1822 or equivalent
FILTRATION EFFICIENCY	*99.95% for particles diameter 0.3 µm
FILTER DIMENSION	132mm OD x 292 mm

\*On qualified cabins

## SPECIFICATIONS

	METRIC	IMPERIAL
Fan Speeds	variable	variable
Air Flow (H13 HEPA)	35 l/s	74 CFM
Air Flow (F7 FILTER)	40 l/s	84 CFM
Power Supply	24 VDC 12VDC (with convertor)	24 VDC 12VDC (with convertor)
Current Draw	2.5 A	2.5 A
Weight (nominal)	8.0 Kg	17.6 lbs
Dimension (L X W X H)	409 mm X 226 mm X 327 mm	16.1 in X 8.9 in X 12.9 in

## MAINTENANCE

### MONTHLY / 300 HOURS

H0602294	H13 HEPA FILTER
H0602295	F7 FILTER

### 3 YEARS / 10,800 HOURS

H0654966	FAN MOTOR ASSEMBLY
H0602293	PRE CLEANER TS 2" INLET

## COMPANION ITEMS

PART NO.	DESCRIPTION
H0602294	H13 HEPA FILTER
H0602295	F7 FILTER
H0679980	WIRING HARNESS
H0694212	DC/DC CONVERTER, 12V to 24V 5A 120W
H0688071	MOUNTING BAND WITH BASE
AU682070 KIT500001	AIR FLOW AND MONITORING SWITCH AIR FLOW SWITCH DUCT SUITS AU682070
H0552762 H0552763 H0552775 H0552778 H0548482	INTERNAL SENSOR, INCLUDING SOFTWARE EXTERNAL SENSOR, INCLUDING SOFTWARE DISPLAY WITH SOFTWARE, RS485-CAN CONTROLLER, AIR QUALITY WIRING HARNESS, AIR QUALITY, MAIN CAB



# FVV50M1

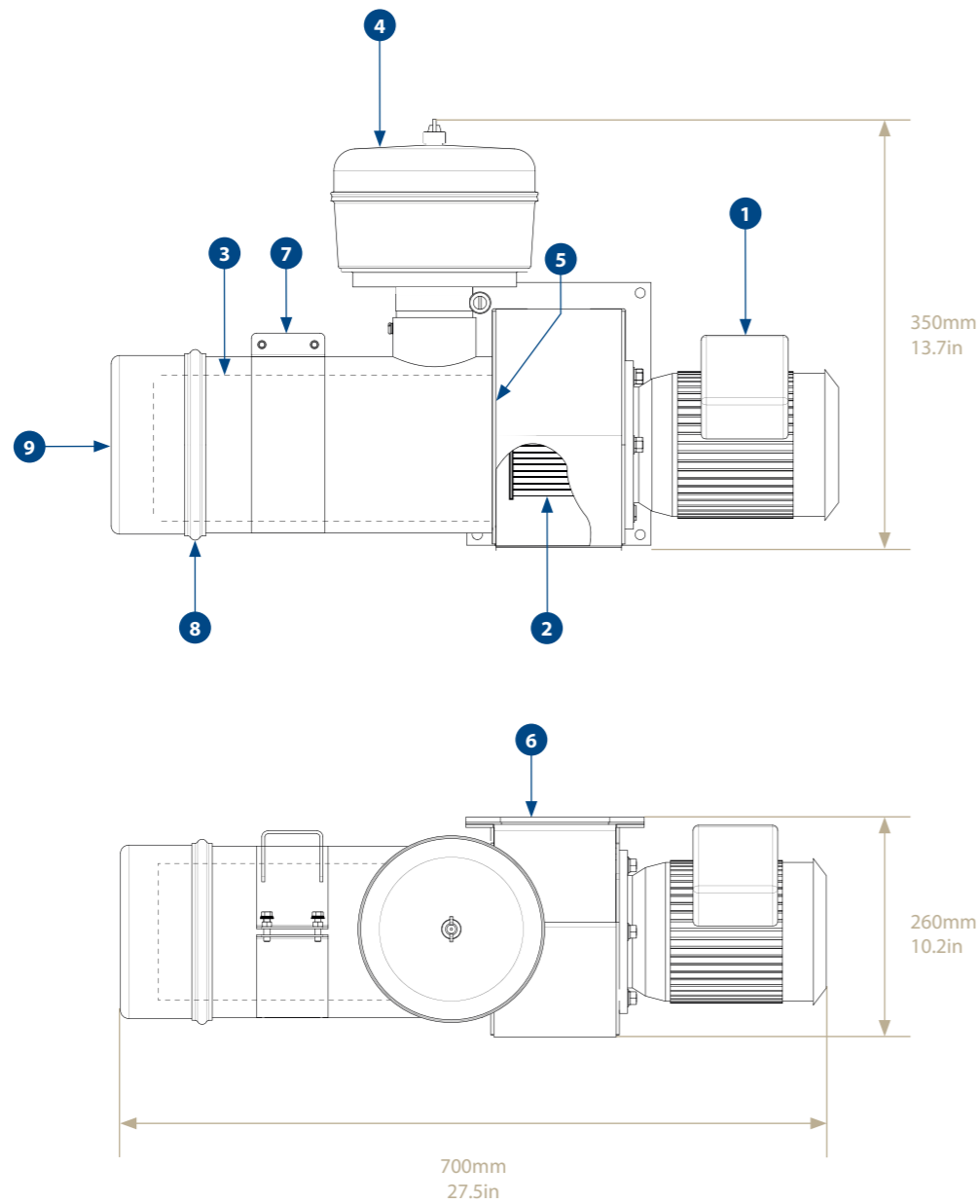
PRESSURISER

## FVV50M1

Fresh Air Pack MS Series AC

**AIR FLOW**  
50 l/s  
106 CFM

**POWER SUPPLY**  
415 VAC



## SPARE PARTS

PART NO.	DESCRIPTION	QTY
1 AU304150	MOTOR 0.55KW 415V 71 FL 2P	1
2 AU410606	BLOWER 120D X 89W X 14MM CW SINGLE INLET	1
3 AU460080	FILTER CART ENDURANCE Previously AU460706	1
4 AU460725	FILTER PRE-CLEANER 186MM - STANDARD	1
5 F1626010	GASKET FRESH AIR UNIT	1
6 F1626039	GASKET FRESH AIR UNIT	1
7 AS161638	BRACKET AIR CLEANER ASSY	1
8 H0056158	CLAMP ASSEMBLY 168MM INTERNAL DIAMETER	1
9 AU460707	FILTER END COVER	1
AU460708	FILTER CAP RUB BAFFLE	1
AU460721	FILTER WING NUT	1

## SPECIFICATIONS

	METRIC	IMPERIAL
Fan Speeds	1	1
Air Flow	50 l/s	106 CFM
Power Supply	415 VAC	415 VAC
Current Draw	1.2 A	1.2 A
Weight (nominal)	40.0 Kg	88.2 lbs
Dimension (L X W X H)	700 mm X 260 mm X 350 mm	27.5 in X 10.2 in X 13.7 in

## MAINTENANCE

### MONTHLY / 300 HOURS

AU460080	FILTER CART ENDURANCE FVV50B
----------	------------------------------

### 3 YEARS / 10,800 HOURS

AU410606	BLOWER 120D X 89W X 14MM CW SINGLE INLET
AU460725	FILTER PRE-CLEANER 186MM - STANDARD
AU304150	MOTOR 0.55KW 415V 71 FL 2P

## COMPANION ITEMS

PART NO.	DESCRIPTION
AU460964	PRE-CLEANER TS 2.5" INLET SMALL (OLD VERSION)
AU682070 KIT500001	AIR FLOW AND MONITORING SWITCH AIR FLOW SWITCH DUCT SUITS
H0552762 H0552763 H0552775 H0548482	INTERNAL SENSOR, INCLUDING SOFTWARE EXTERNAL SENSOR, INCLUDING SOFTWARE DISPLAY WITH SOFTWARE, RS485-CAN WIRING HARNESS, AIR QUALITY, MAIN CAB



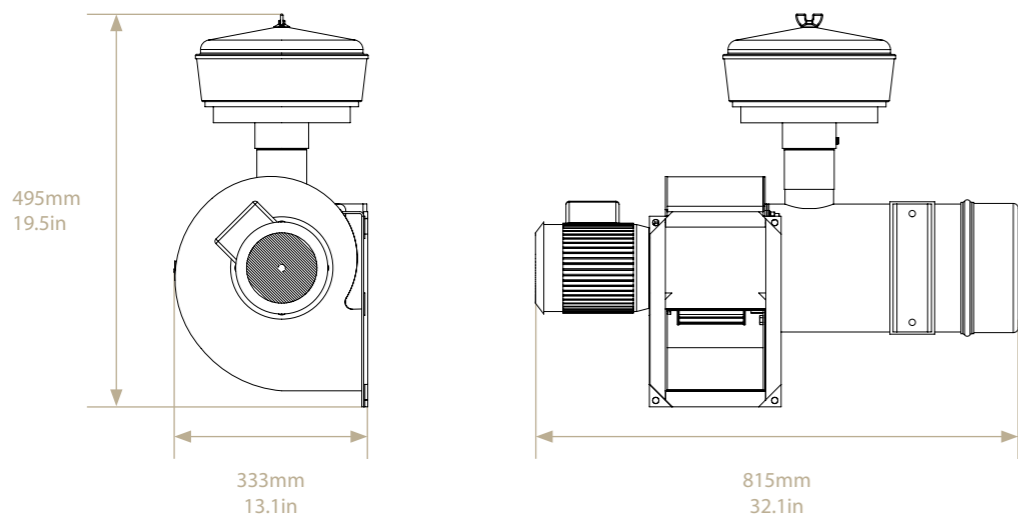
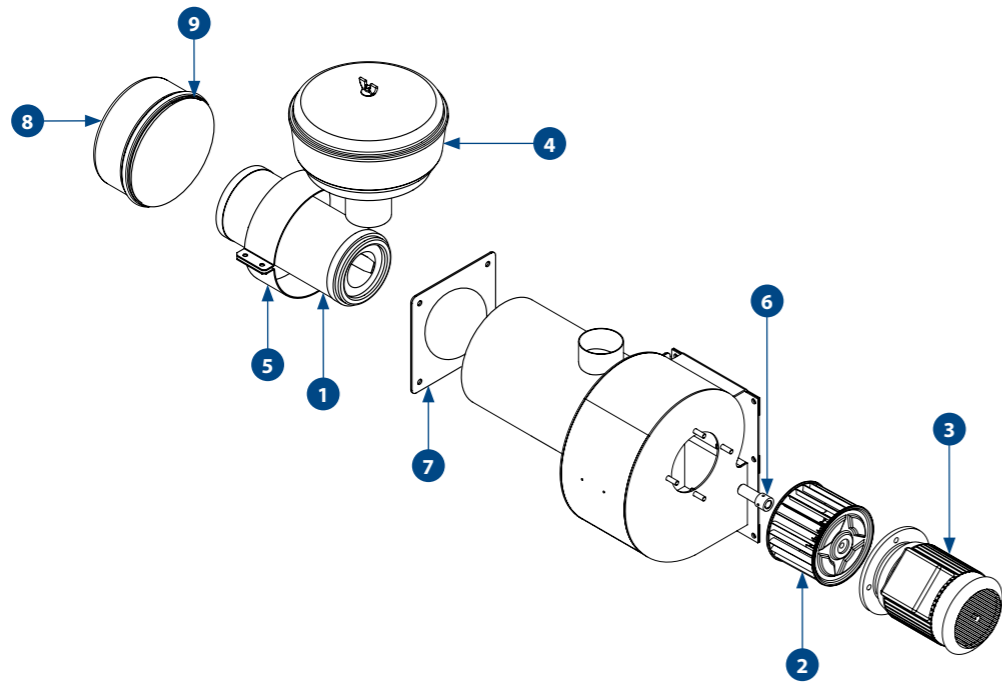
# FVV100

PRESSURISER

**FVV100MR1**  
Fresh Air Pressuriser

**AIR FLOW**  
100 l/s  
212 CFM

**POWER SUPPLY**  
415 VAC  
240 VAC



## SPARE PARTS

PART NO.	DESCRIPTION	QTY
1 AU460081	FILTER CARTRIDGE ENDURANCE Previously AU460734	1
2 AU410520	BLOWER 178D X 102W X 19MM	1
3 AU304150	MOTOR 0.55KW 415V 71 FL 2P (FVV100MR1)	1
4 AU460729	FILTER PRE-CLEANER 270MM - STANDARD	1
5 AS162611	FILTER SUPPORT CLAMP ASSEMBLY	1
6 AU872011	SHAFT EXTENSION 14MM F X 19MM M	1
7 R1626026	GASKET FVV100 INLET 200MM X 200MM 140MM DIAMETER	1
8 AU460768 AU460762	END CAP RUBBER BAFFLE	1 1
9 AU460765	CLAMP ASSEMBLY	1

## SPECIFICATIONS

	METRIC	IMPERIAL
Fan Speeds	1	1
Air Flow	100 l/s	212 CFM
Power Supply	415 VAC 240 VAC	415 VAC 240 VAC
Current Draw	1.3 A	1.3 A
Weight (nominal)	40.0 Kg	88.2lbs
Dimension (L X W X H)	815 mm X 333 mm X 495 mm	32.1 in X 13.1 in X 19.5 in

## MAINTENANCE

### MONTHLY / 300 HOURS

AU460081	FILTER CARTRIDGE ENDURANCE (FOR UPGRADED UNIT)
----------	---

### 3 YEARS / 10,800 HOURS

AU460729	FILTER PRE-CLEANER 270MM - STANDARD
AU410520	BLOWER 178D X 102W X 19MM
AU304150	MOTOR 0.55KW 415V 71 FL 2P

Please contact SIGMA for more information including details on an overhaul scope and interval.  
Maintenance periods and scope are dependent on application and site conditions, and are to be used as a guide.

## H13 HEPA FILTRATION OPTION

PART NO.	DESCRIPTION
PART NO.	H0174977
HEPA GRADE	H13
TEST STANDARD	EN 1822 or equivalent
FILTRATION EFFICIENCY	*99.95% for particles diameter 0.3 µm
FILTER DIMENSION	152mm OD x 305 mm

\* On qualified cabins

## COMPANION ITEMS

PART NO.	DESCRIPTION
AU460963	PRE CLEANER TS 3" INLET SMALL
H0174977	HEPA FILTER CARTRIDGE
AU682070 KIT500001	AIR FLOW AND MONITORING SWITCH AIR FLOW SWITCH DUCT SUITS
H0552762 H0552763 H0552775 H0548482	INTERNAL SENSOR, INCLUDING SOFTWARE EXTERNAL SENSOR, INCLUDING SOFTWARE DISPLAY WITH SOFTWARE, RS485-CAN WIRING HARNESS, AIR QUALITY, MAIN CAB

## PVV50B2

PRESSURISER

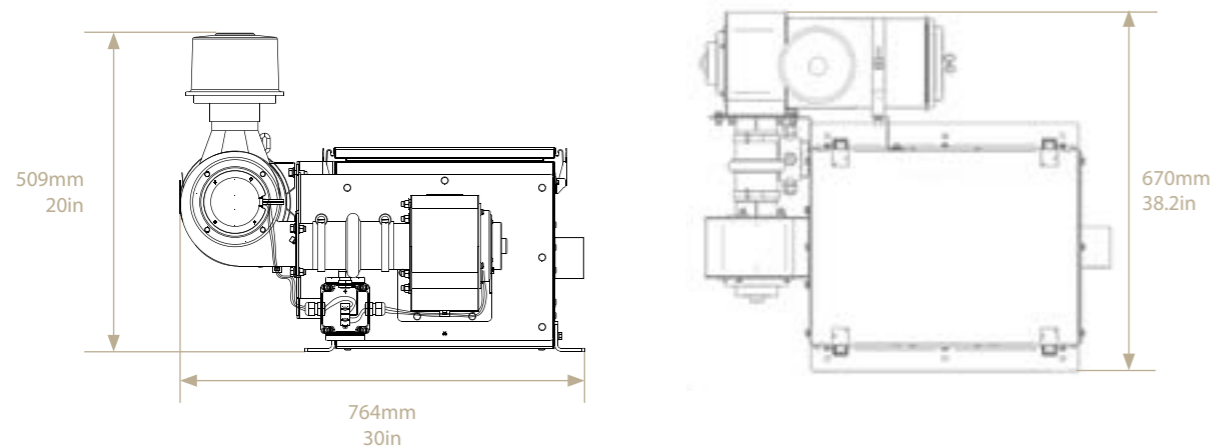
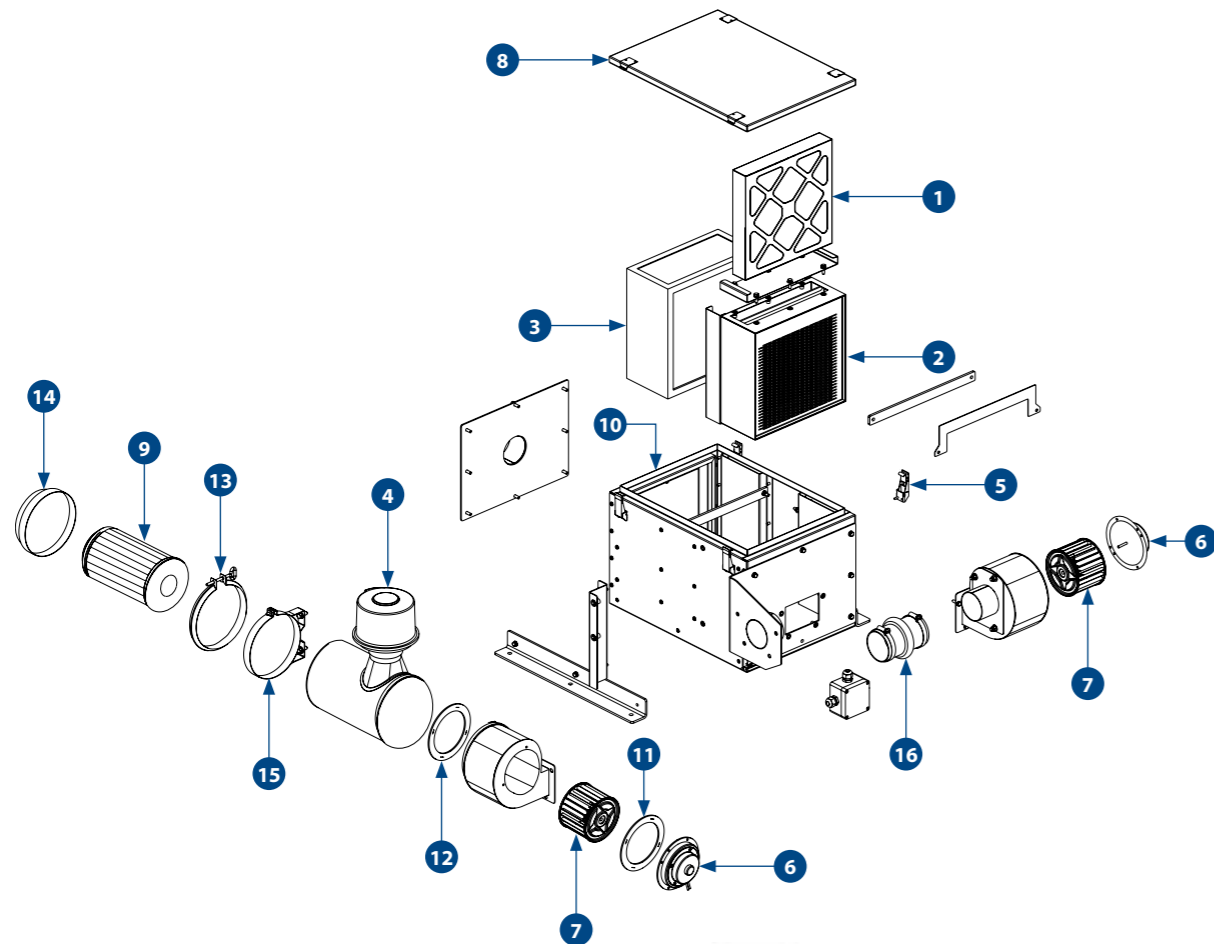
## PVV50B2

Fresh Air Multi Stage Filtration (HEPA) &amp; Pressuriser

**AIR FLOW**  
30 l/s  
64 CFM

**POWER SUPPLY**  
24 VAC

HEPA  
Filtration



## SPARE PARTS

PART NO.	DESCRIPTION	QTY
1	AU460628 FILTER CARTRIDGE PLEAT 305MM X 305MM X 50MM	1
2	AS3505127 MEDIA MODULE ASSEMBLY	1
3	AU460863 FILTER 305MM X 305MM X 149MM METAL CASE (HEPA FILTER)	1
4	AU460963 PRE CLEANER TS 3" INLET SMALL	1
5	UC310 CATCH TOGGLE OVER CENTRE SS	4
6	UE325 MOTOR 70W 24VDC PANCAKE	2
7	AU410337 BLOWER 120D x 89W x 5/8 COUNTER CLOCKWISE SINGLE INLET	2
8	AS5242124 LID ASSEMBLY	1
9	AU460083 FILTER CARTRIDGE ENDURANCE FOR EB9P4X	1
10	AU862211 SEAL RUBBER	2
11	S3750100 SEAL GASKET MOTOR	1
12	S3750101 SEAL GASKET CANISTER	1
13	H0056158 CLAMP ASSEMBLY 168MM INTERNAL DIAMETER	1
14	H0056157 COVER ASSEMBLY	1
15	AU870001 MOUNTING BAND AIR CLEANER 6.5" DIAMETER	1
16	AU746237 HUMP STRAIGHT RUBBER 3	1

## MEDIA OPTIONS

PART NO.	DESCRIPTION	APPLICATION
AU480004	MEDIA ACT ALUMINA	Targets oxidisable acidic gases responsible for corrosion
AU480010	MEDIA ACT CARBON	Targets VOC's and other inorganic gases
AU480011	MEDIA IMPREG CARBON	Target alkaline, gases e.g. ammonia, amines etc.

Consult SIGMA for correct media depending on gases to remove

## H14 HEPA FILTRATION

PART NO.	DESCRIPTION
PART NO.	AU460863
HEPA GRADE	H14
TEST STANDARD	EN 1822 or equivalent
FILTRATION EFFICIENCY	*99.99% for particles diameter 0.3 µm
FILTER DIMENSION	305mm x 305mm x 149mm

\*On qualified cabins

## SPECIFICATIONS

	METRIC	IMPERIAL
Fan Speeds	1	1
Air Flow	30 l/s	64 CFM
Power Supply	24V	24V
Current Draw	6A	6A
Weight (nominal)	53.0 Kg	116.8 lbs
Dimension (L X W X H)	764mm X 670mm X 509mm	30.0in X 38.2in X 20.0in

## MAINTENANCE

## MONTHLY / 300 HOURS

AU460083	FILTER CARTRIDGE ENDURANCE FOR EB9P4X
----------	---------------------------------------

## 3 MONTHS / 900 HOURS

AU460628	FILTER CARTRIDGE PLEAT 305MM X 305MM X 50MM
----------	---

## ANNUAL / 3,600 HOURS

AU460863	FILTER 305MM X 305MM X 149MM METAL CASE
UE325	MOTOR 70W 24VDC PANCAKE
AU410337	BLOWER 120D x 89W x 5/8 COUNTER CLOCKWISE SINGLE INLET

## 3 YEARS / 10,800 HOURS

AU460963	PRE CLEANER TS 3" INLET SMALL
----------	-------------------------------

## COMPANION ITEMS

PART NO.	DESCRIPTION
AU682070	AIR FLOW AND MONITORING SWITCH
KIT500001	AIR FLOW SWITCH DUCT SUITS
H0552762	INTERNAL SENSOR, INCLUDING SOFTWARE
H0552763	EXTERNAL SENSOR, INCLUDING SOFTWARE
H0552775	DISPLAY WITH SOFTWARE, RS485-CAN
H0548482	WIRING HARNESS, AIR QUALITY, MAIN CAB



# PVV50M2

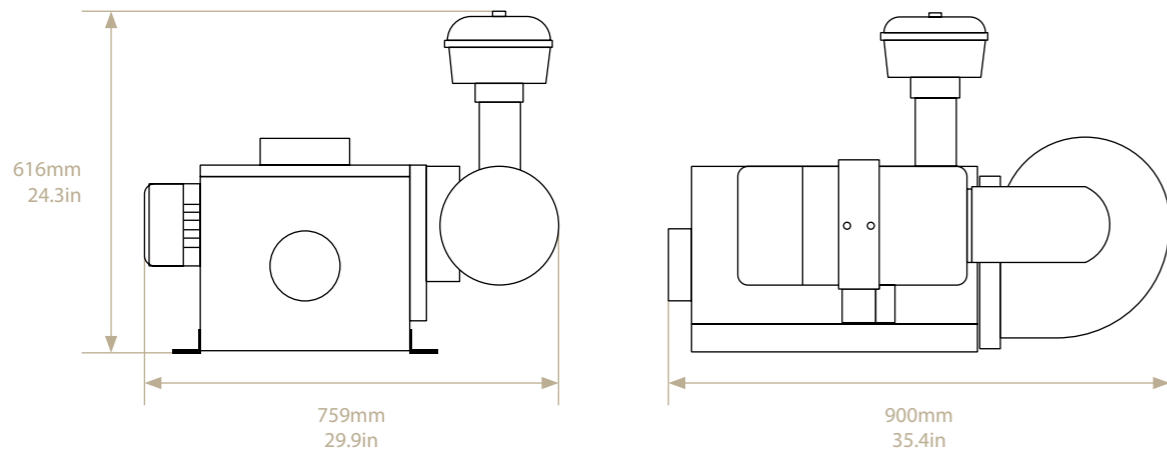
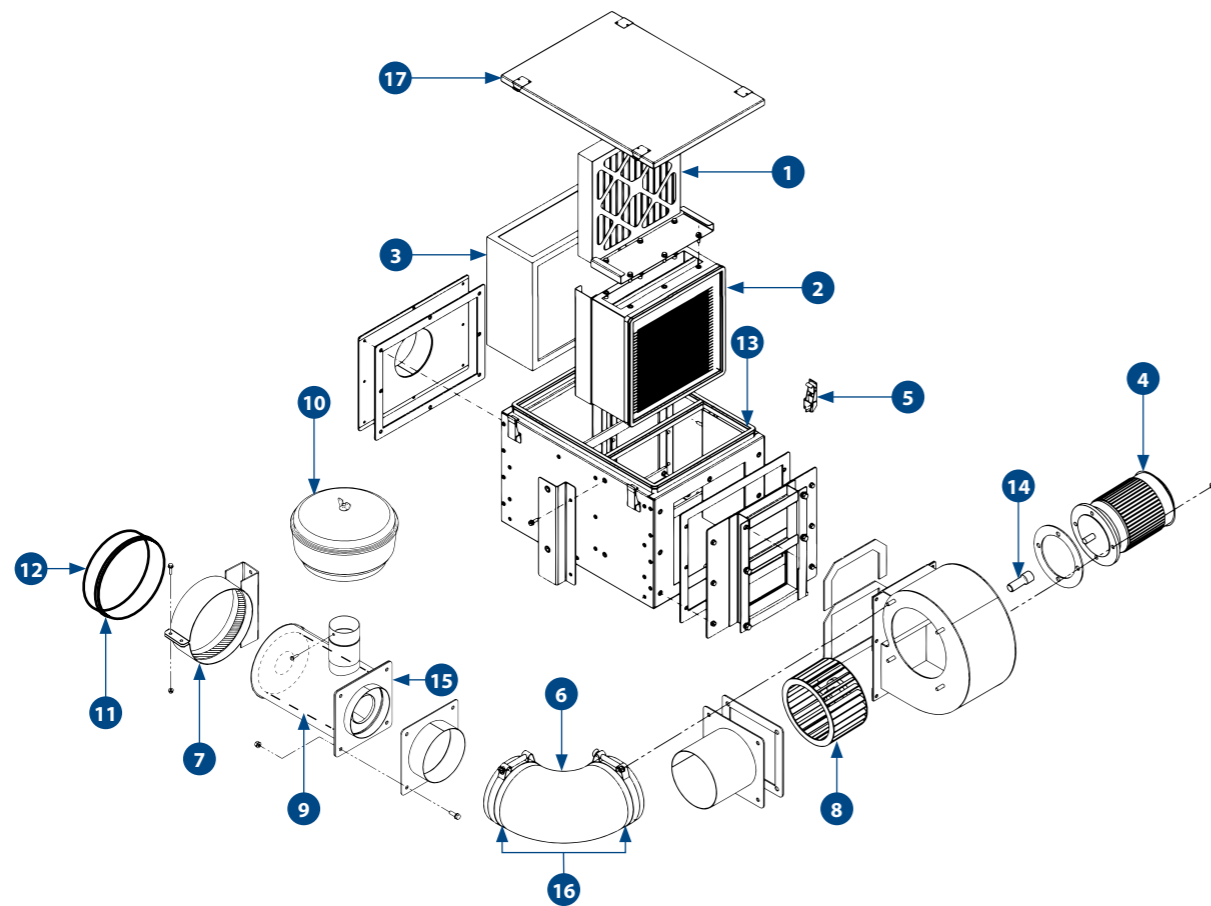
PRESSURISER

## PVV50M2

Fresh Air Multi Stage Filtration (HEPA) & Pressuriser

**AIR FLOW**  
50 l/s  
106 CFM

**POWER SUPPLY**  
415 VAC



## SPARE PARTS

PART NO.	DESCRIPTION	QTY
1	AU460628 FILTER CARTRIDGE PLEAT 305MM X 305MM X 50MM	1
2	AS3505127 MEDIA MODULE ASSEMBLY	1
3	AU460863 FILTER 305MM X 305MM X 149MM METAL CASE (HEPA FILTER)	1
4	AU304150 MOTOR 0.55KW 415V 71 FL 2P	1
5	UC310 LATCH TOGGLE OVER CENTRE SS	4
6	UC265 ELBOW RUBBER 90DEG 6"	1
7	AS162611 FILTER SUPPORT CLAMP ASSEMBLY	1
8	AU410520 BLOWER 178D X 102W X 19MM Ccw SINGLE INLET	1
9	AU460081 FILTER CARTRIDGE ENDURANCE FVV100 (OPT)	1
10	AU460729 FILTER PRE-CLEANER 270MM	1
11	AU460765 CLAMP ASSEMBLY	1
12	AU460768 END CAP	1
	AU460762 RUBBER BAFFLE	1
13	AU862211 SEAL RUBBER	2
14	AU872011 SHAFT EXTENSION 14MM F X 19MM M	1
15	R1626026 GASKET FVV100 INLET 200MM X 200MM 140MM DIAMETER	1
16	UC266 CLAMP SUIT UC265	2
17	AS5242124 LID ASSEMBLY	1

## MEDIA OPTIONS

PART NO.	DESCRIPTION	APPLICATION
AU480004	MEDIA ACT ALUMINA	Targets oxidisable acidic gases responsible for corrosion
AU480010	MEDIA ACT CARBON	Targets VOC's and other inorganic gases
AU480011	MEDIA IMPREG CARBON	Target alkaline, gases e.g. ammonia, amines etc.

Consult SIGMA for correct media depending on gases to remove

## H14 HEPA FILTRATION

PART NO.	DESCRIPTION
PART NO.	AU460863
HEPA GRADE	H14
TEST STANDARD	EN 1822 or equivalent
FILTRATION EFFICIENCY	*99.99% for particles diameter 0.3 µm
FILTER DIMENSION	305mm x 305mm x 149mm

\*On qualified cabins

## SPECIFICATIONS

	METRIC	IMPERIAL
Fan Speeds	1	1
Air Flow	50 l/s	106 CFM
Power Supply	415 VAC	415 VAC
Current Draw	1.3 A	1.3 A
Weight (nominal)	88.0 Kg	194.0 lbs
Dimension (L X W X H)	900 mm X 759 mm X 616 mm	35.4 in X 29.9 in X 24.3 in

## MAINTENANCE

### MONTHLY / 300 HOURS

AU460081	FILTER CARTRIDGE ENDURANCE
----------	----------------------------

### 3 MONTHS / 900 HOURS

AU460628	FILTER CARTRIDGE PLEAT 305MM X 305MM X 50MM
----------	---

### ANNUAL / 3,600 HOURS

AU460863	FILTER 305MM X 305MM X 149MM METAL CASE
----------	---

### 3 YEARS / 10,800 HOURS

AU460729	FILTER PRE-CLEANER 270MM
AU410520	BLOWER 178D X 102W X 19MM Ccw SINGLE INLET
AU304150	MOTOR 0.55KW 415V 71 FL 2P (FVV100MR1)

## COMPANION ITEMS

PART NO.	DESCRIPTION
AU682070	AIR FLOW AND MONITORING SWITCH
KIT500001	AIR FLOW SWITCH DUCT SUITS
H0552762	INTERNAL SENSOR, INCLUDING SOFTWARE
H0552763	EXTERNAL SENSOR, INCLUDING SOFTWARE
H0552775	DISPLAY WITH SOFTWARE, RS485-CAN
H0548482	WIRING HARNESS, AIR QUALITY, MAIN CAB