


H SERIES

Hybrid Systems

Our H SERIES are high performance compact air conditioning hybrid systems that can be driven by a combination of diesel, electric or hydraulic motor.

Designed to meet the requirements of industrial range of products while maintaining quiet and smooth operation.

Available as either standalone assemblies, packaged in an easy to fit housing inclusive of basic controls, or integrated into the SIGMA E & T SERIES.

MODEL	PAGE
HCF6BX4	46 - 47
	
H0433161	46

HCF6BX4

EMISSIONS FREE COOLING SYSTEM



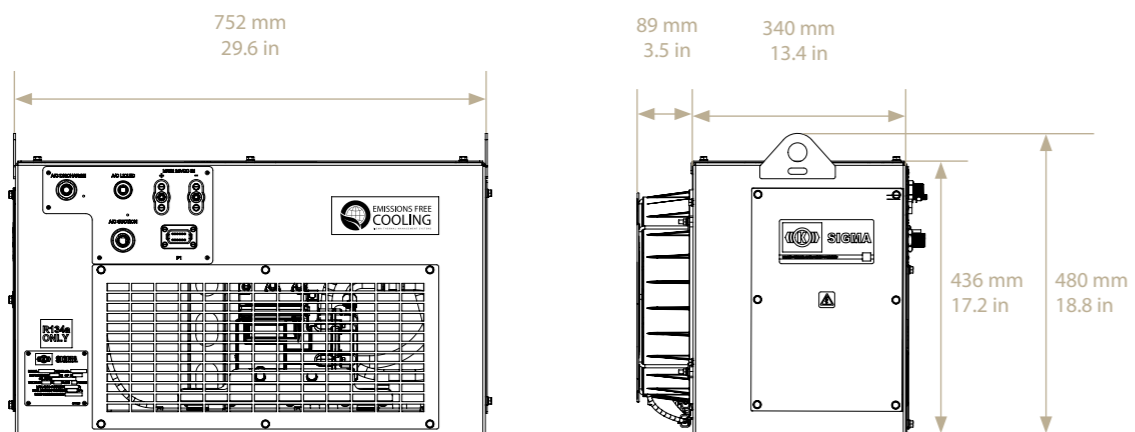
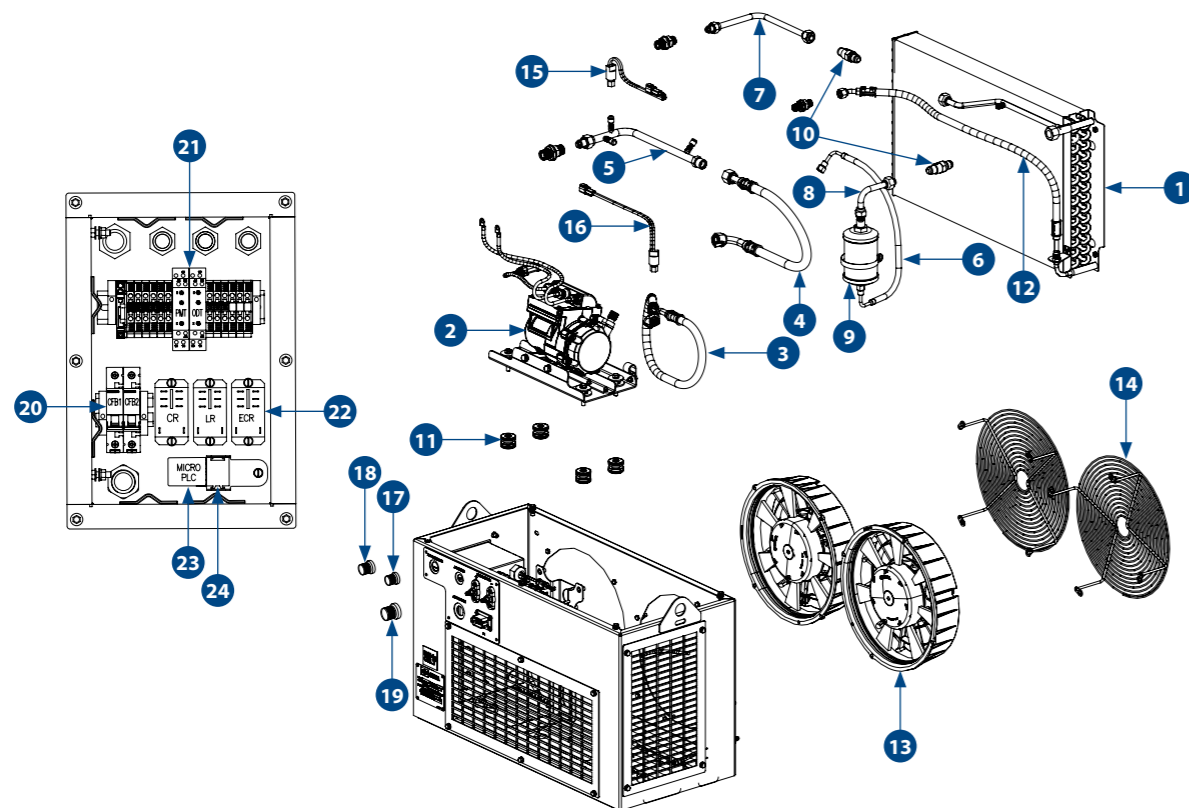
H0433161

Floor Mounted Condenser 24VDC

COOLING
3.9 kW
13307 BTU

POWER SUPPLY
24VDC

AIR FLOW
670 l/s
1419 CFM



SPARE PARTS

PART NO.	DESCRIPTION	QTY
1	AU1101020 COND COIL 610X381X64 4RW ECF6	1
2	H0428289 Electric Compressor 24V <i>Previously AU2961001</i>	1
3	H0437200 HOSE ASSY - DISCHARGE	1
4	H0437203 HOSE ASSY - SUCTION	1
5	AS3993048 SUCTION LINE ASSY - BULKHEAD TO COMP	1
6	AU5551001 OIL SEPARATOR HOSE	1
7	AS3993054 DISCHARGE ASSY - BULKHEAD TO CHECK VALVE	1
8	AS3993052 CHECK VALVE TO OIL SEPARATOR ASSY	1
9	AU270341 OIL SEP 3/4" 16UNF 0.37 L/MIN	1
10	H0014480 VALVE CHECK 1/2" MF	2
11	H0102227 VIB MNT SCHR35 RUBBER 55SH	4
12	H0130781 HOSE ASSEMBLY,REFRIGERANT,795MM LONG	1
13	H0281808 FAN,ASSEMBLY,BRUSHLESS 24VDC DIA 305MM	2
14	H0279389 FAN GUARD,ASSEMBLY	2
15	H0152017 LOW PRESSURE SWITCH ASSEMBLY	1
16	H0148597 HIGH PRESSURE SWITCH ASSEMBLY	1
17	AU512C065 BULKHEAD FTG O-RING 3/8"	1
18	AU512C066 BULKHEAD FTG O-RING 1/2"	1
19	AU512C067 BULKHEAD FTG O-RING 5/8"	1
20	AU641119 CIRCUIT BREAKER 16A 1 POLE	2
21	AU672500 TIMER, MULTI FUNCTION 12-240V AC/DC	2
22	H0269190 RELAY FOR 24V DC	3
23	H0611101 MICRO PROGRAMMABLE LOGIC CONTROLLER	1
24	H0530102 9 PIN RELAY SOCKET	1

SPECIFICATIONS

	METRIC	IMPERIAL
Cooling Capacity	3.9 kW	13307 BTU
Fan Speeds	1	1
Air Flow	670 l/s	1419 CFM
Power Supply	24VDC	24VDC
Current Draw	105 A	105 A
Refrigerant	R134a	R134a
Maximum Ambient Temperature	54°C	129°F
Weight (nominal)	60 kgs	132.2 lbs
Technical Manual Reference	SM508-3993	SM508-3993
Dimension (L X W X H)	752mm X 429mm X 480mm	29.6in X 16.8in X 18.8in

MAINTENANCE

3 YEARS / 10,800 HOURS

H0428289	Electric Compressor 24V
H0102227	VIB MNT SCHR35 RUBBER 55SH
H0281808	FAN ASSEMBLY BRUSHLESS 24VDC DIA 305MM

COMPANION ITEMS

PART NO.	DESCRIPTION
EC12I4	Internal Wall Mount Evaporator 4kW 24V
EC12H4	Ceiling Mount Evaporator 4kW 24V
EC22H4	Ceiling Evaporator 6kW 24V
EFF4BX1	Internal Evaporator 4kW 24V with Heating
EFF5BX3	Floor Mounted Evaporator 5kW 24V with Heating
TFR7BX2	Rooftop Evaporator 7kW 24V with Heating