

E SERIES

SIGMA E SERIES air conditioner range has been designed and developed for robust duty and have been refined to suit vibration, dust and high ambient temperature applications.

These systems are engineered to suit small cabin in both wheeled and tracked vehicles, with all components selected to provide reliable service and designed for ease of serviceability

MODEL	PAGE
EB9EH4X	22
EC12C	24 - 25
EC12C2	24
EC12C4	24
EC12H4	26
EC12I4	28
EC22C4	30 - 31
EC22C4	30
EC22C4SS	30
EC22H4	32
ECW6BX1 (H0204590)	34
EFF4BX1	36
EFF5BX3	38
EFR4BX1	40
EPR4	42 - 43
EPR4AX1	42
EPR4BX1	42

EB9EH4X

ROOFTOP EVAPORATOR

EB9EH4X

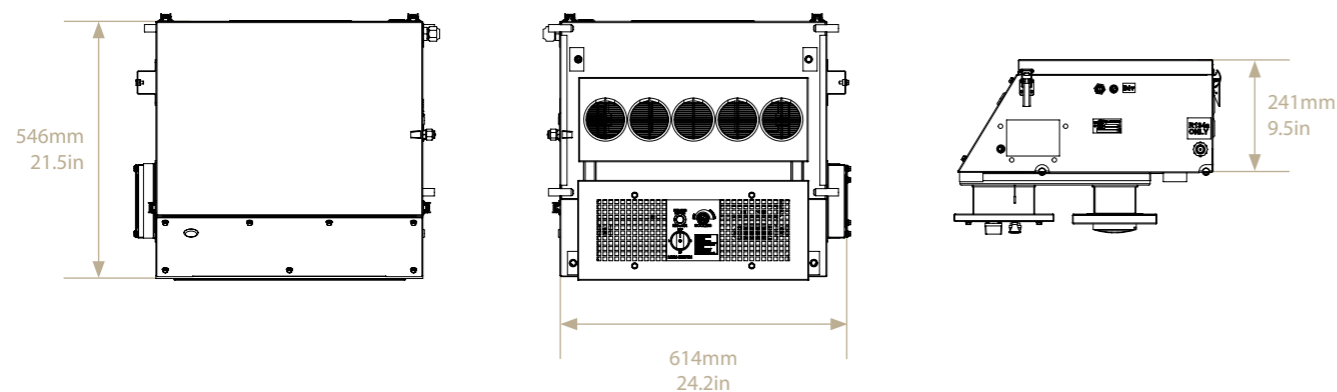
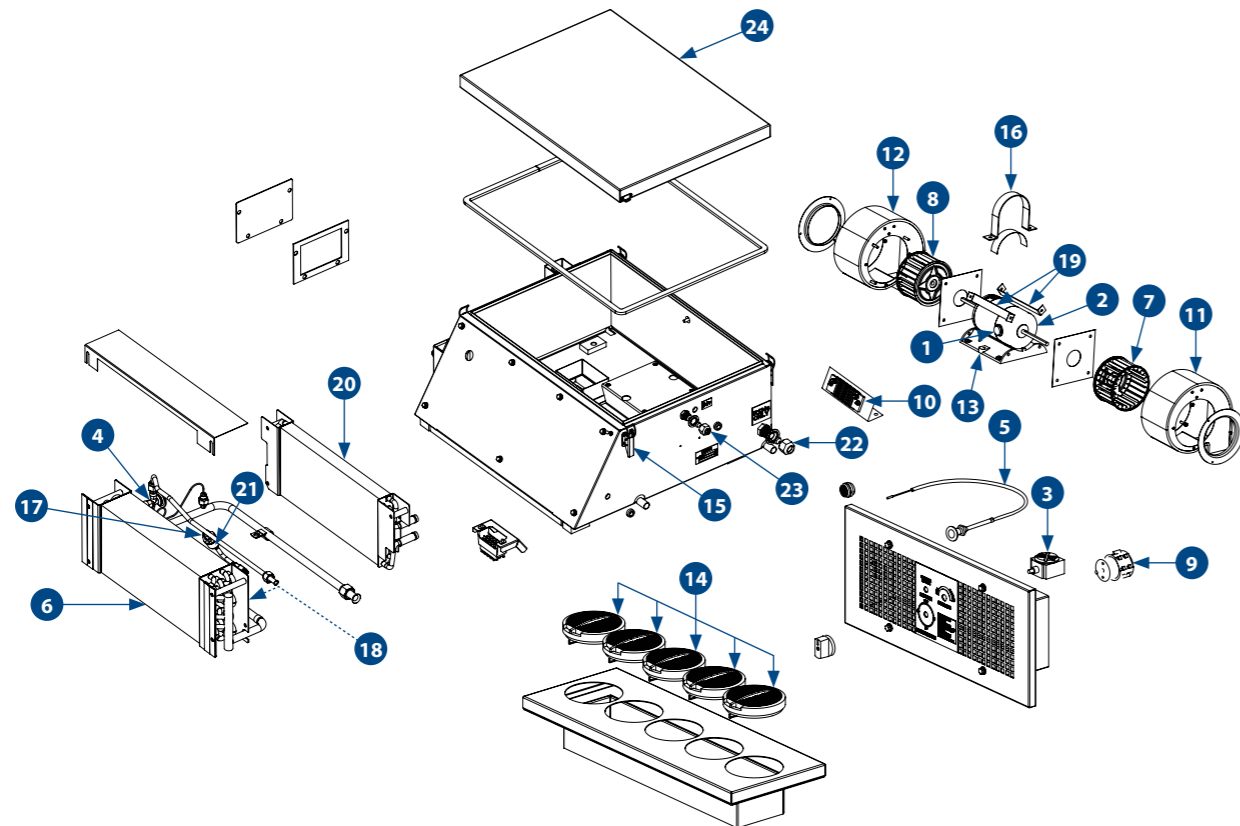
Rooftop Evaporator 5kW 24V with Heating (4.6kW)

COOLING
5.0 kW
17,060 BTU

HEATING
4.6 kW
15,695 BTU

POWER SUPPLY
24VDC

AIR FLOW
130 l/s
275 CFM



SPARE PARTS

PART NO.	DESCRIPTION	QTY
1	MOTOR BRUSH 24V (EB9EH4) Previously AU320621 for UE023	2
2	MOTOR 24VDC D/S (EB9EH4) Previously UE023	1
3	THERMOSTAT DEICE STUD	1
4	TX VALVE 1.5T 3/8" IN 1/2" OUT 1/4" EQ	1
5	CABLE PUSH/PULL F/DRIVE 1500MM	1
6	UR145 EVAPORATOR COIL ASSEMBLY	1
7	UF017 BLOWER 121D X 76W X 3/8" CCW SINGLE INLET	1
8	UF018 BLOWER 121D X 76W X 3/8" CW SINGLE INLET	1
9	AU663095 ROTARY SWITCH OFF HI L	1
10	UE183 RESISTOR 3 OHM 50W 24V ONLY	1
11	UF040 HOUSING SUPPLY AIR FAN CCW	1
12	UF041 HOUSING SUPPLY AIR FAN CW	1
13	UC027 EVAPORATOR MOTOR MOUNT	1
14	AU821704 DIFFUSER ROUND 92MM PVC	5
15	UC048 LATCH TOGGLE OVER-CENTRE	4
16	S5006029 MOTOR MOUNT CLAMP 97MM	1
17	UR042 PRESSURE CONTROL ADAPTOR	2
18	UR173 CLAMP TX VALVE BULB 5/8 X 3/8	1
19	S5006030 FAN SET BRACE	2
20	UR037 HEATER COIL 354MM X 178MM X 32MM 2RW EB9	1
21	UE064 DPC 1/4" MF HIGH PRESSURE 2206kPa LOW PRESSURE 196kPa	1
22	UR011 BULKHEAD FITTING 5/8" MF #10	1
23	UR009 BULKHEAD FITTING 3/8" MF #6	1
24	H0173253 INSULATED TOP COVER ASSEMBLY	1
UR032	TX VALVE STRAINER FOR AU521923	1
AU410902	INLET RING Previously UF034	1
UE700	CIRCUIT BREAKER 40A STUD TYP MANUAL	1
AU744827	VALVE WATER 16MM	1
UF089	FAN DECK 24V EB9	1
BC036	SEAL CAB TO CASE 360MM X 422MM	1
UC047	KEEPER PLATE ZP	4
UC022	KNOB SNOWFLAKE 6.35MM	1

SPECIFICATIONS

	METRIC	IMPERIAL
Cooling Capacity	5.0 kW	17,060 BTU
Heating Capacity	4.6 kW	15,695 BTU
Air Flow	130 l/s	275 CFM
Fresh Air	30 l/s	64 CFM
Power Supply	24 VDC	24VDC
Current Draw	7 A	7 A
Refrigerant	R134a	R134a
Maximum Ambient Temperature	46°C	115°F
Weight (nominal)	26.0 Kg	57.2 lbs
Technical Manual Reference	SM144-2071	SM144-2071
"Dimension L X W X H"	546 mm X 614 mm X 241 mm	21.5 in X 24.5 in X 9.5 in

MAINTENANCE

6 MONTHS / 2,500 HOURS

H0393309 BRUSH MOTOR 24VDC EACH (EB9EH4)

ANNUAL / 5,000 HOURS

H0384822 MOTOR 24VDC D/S (EB9EH4)

3 YEARS / 15,000 HOURS

UE016 THERMOSTAT DEICE STUD

UE064 DPC 1/4" MF HIGH PRESSURE 2206kPa LOW PRESSURE 196kPa

AU521923 TX VALVE 1.5T 3/8" IN 1/2" OUT 1/4" EQ

UR032 TX VALVE STRAINER FOR AU521923

COMPANION ITEMS

PART NO.	DESCRIPTION
H0404763	Hydraulic Driven Compressor 150 (Vertical)
H0428289	Electric Compressor 24V
AU110388	Radiator Condenser
AU270306	Compressor UP170 2A 24V VMO 132 OD PAG
AU270307	Compressor UP170 1B 24V VMO 135 PAG
AU270311	Compressor UP150 2A 24V VMO 132 OD PAG
AU270312	Compressor UP150 1B 24V VMO 135 OD PAG
AU531422	Receiver Drier
KNHV80001	Installation Kits
KNHV80011	Installation Kits

EC12C


ROOFTOP CONDENSER

EC12C2

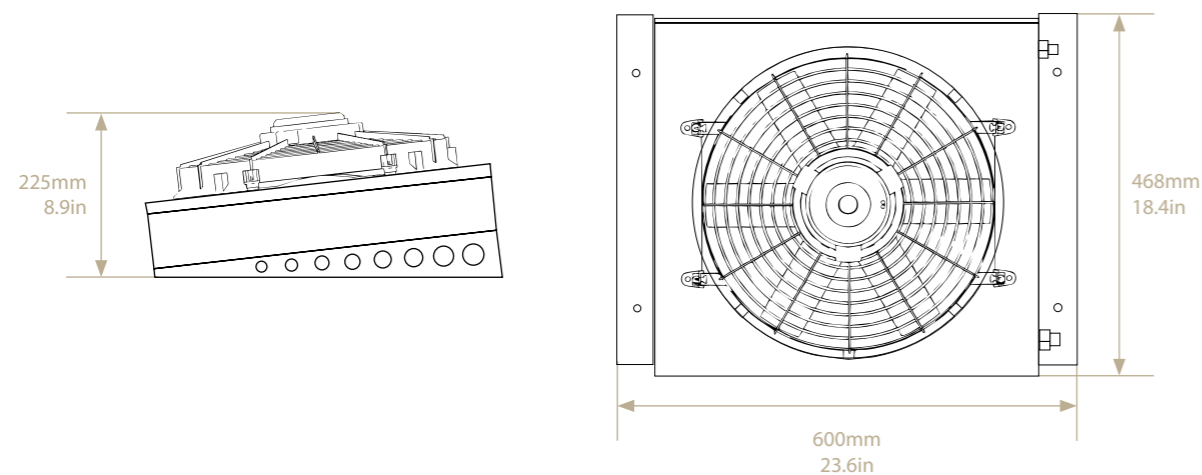
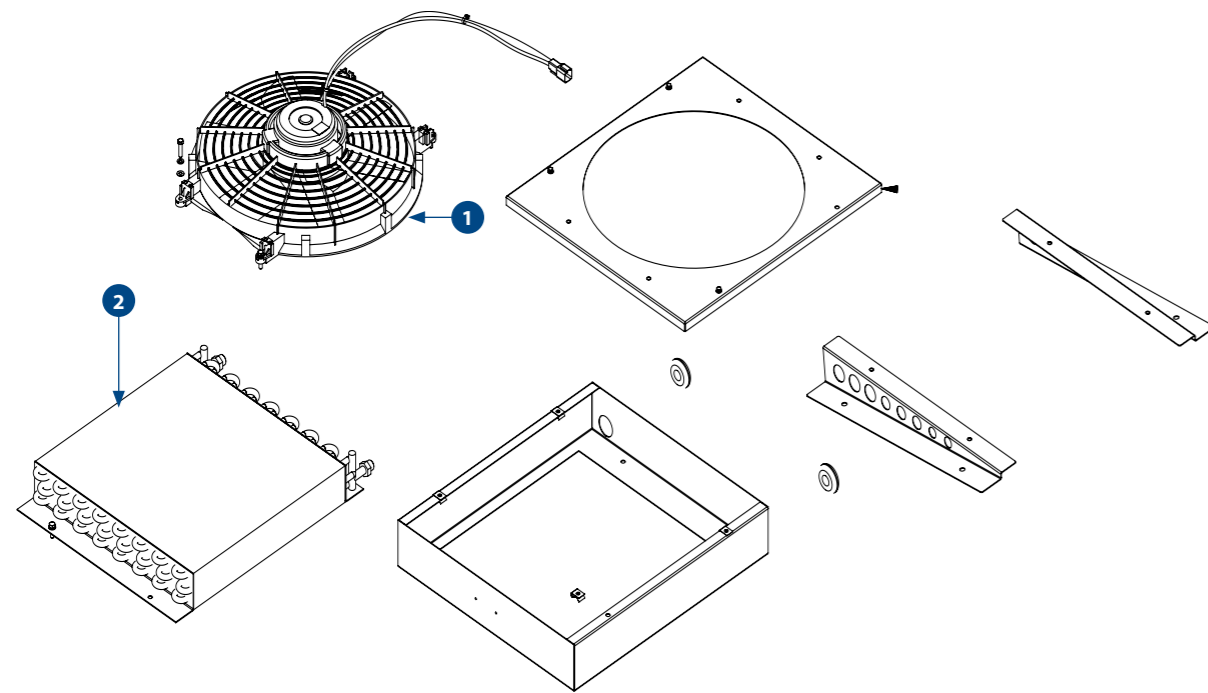
Remote Condenser 4kW 12V

EC12C4

Remote Condenser 4kW 24V

 **COOLING**
 4.0 kW
 13,648 BTU

 **POWER SUPPLY**
 12VDC
 24VDC



SPARE PARTS

PART NO.	DESCRIPTION	QTY
1 AU420064	FAN AXIAL ASSEMBLY 400MM 12VDC (EC12C2)	1
AU420063	FAN AXIAL ASSEMBLY 400MM 24VDC (EC12C4)	1
2 AU110312	CONDENSER COIL 390MM X 406MM X 66MM 3RW	1

SPECIFICATIONS

	METRIC	IMPERIAL
Cooling Capacity	4.0 kW	13,648 BTU
Fan Speeds	1	1
Power Supply	24 VDC / 12 VDC	24 VDC / 12 VDC
Current Draw	10 A / 20 A	10 A / 20 A
Refrigerant	R134a	R134a
Maximum Ambient Temperature	46°C	115°F
Weight (nominal)	14.0 Kg	30.8lbs
Technical Manual Reference	SM260-2494	SM260-2494
L X W X H Dimension	600 mm X 468 mm X 225 mm	23.6 in X 18.4 in X 8.9 in

MAINTENANCE

ANNUAL / 5,000 HOURS

AU420064	FAN AXIAL ASSEMBLY 400MM 12VDC
AU420063	FAN AXIAL ASSEMBLY 400MM 24VDC

COMPANION ITEMS





PART NO.	DESCRIPTION
EC1214	Internal Wall Evaporator
EC12H4	Hood Liner Evaporator
EFF4BX1	Evaporator
FVV40	Pressuriser
H0404763	Hydraulic Driven Compressor 150 (Vertical)
H0428289	Electric Compressor 24V
AU270311	Compressor UP150 2A 24V VMO 132 OD PAG
AU270312	Compressor UP150 1B 24V VMO 135 OD PAG
AU531422	Receiver Drier

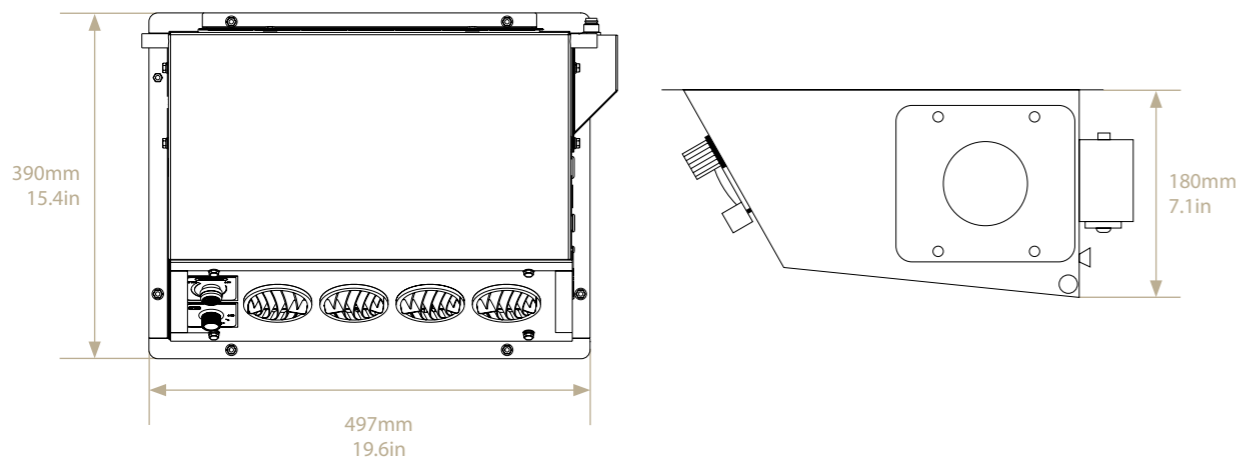
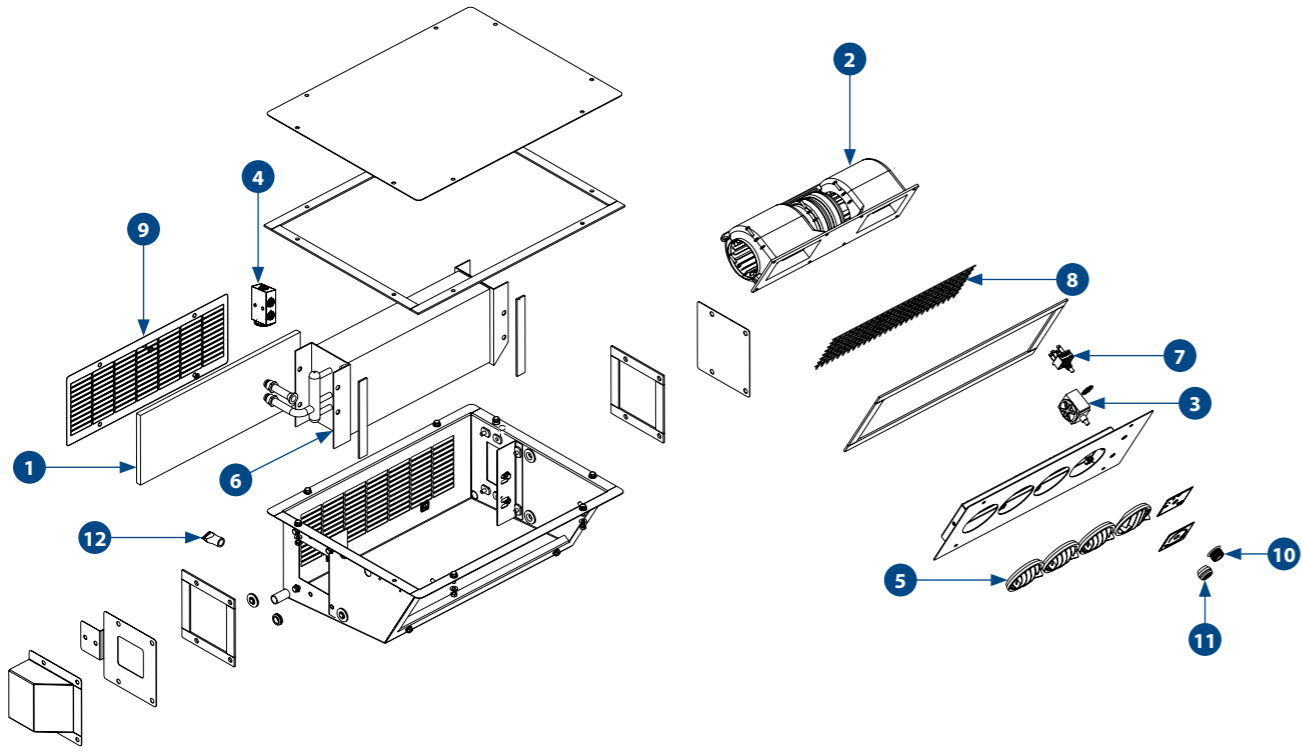


EC12H4

ROOFTOP EVAPORATOR

EC12H4
Ceiling Mount Evaporator 4kW 24V

 COOLING 4.0 kW 13,648 BTU	 HEATING (OPTION) 3.5 kW 11,942 BTU
 POWER SUPPLY 24VDC	 AIR FLOW 110 l/s 233 CFM



SPARE PARTS

PART NO.	DESCRIPTION	QTY
1 S2501182S	EVAPORATOR FILTER MEDIA 385MM X 145MM	1
2 AU400034	FAN DECK 24V 3SPD	1
3 UE016	THERMOSTAT DEICE STUD	1
4 AU521946	THERMAL EXPANSION VALVE BLOCK 2T 3/8" IN 1/2" OUT R134A	1
5 AU821708	LOUVRE ROUND 3" HOLE	4
6 AU120480	EVAPORATOR COIL 345MM X 152MM X 79MM	1
7 UE335	ROTARY SWITCH 3-SPEED C/W NUT	1
8 S2501207	GRILLE 344MM X 100MM	1
9 S2501026	FILTER COVER	1
10 UC451	KNOB 1/4 BLACK PLASTIC 21MM DIAMETER	1
11 UC022	KNOB SNOWFLAKE 6.35MM	1
12 UC504	DRAIN NOZZLE 13MM	2

MAINTENANCE

MONTHLY / 300 HOURS	
S2501182S	RETURN AIR FILTER MEDIA
ANNUAL / 3,600 HOURS	
AU400035	FAN DECK 12V 3SPD
AU400034	FAN DECK 24V 3SPD
3 YEARS / 10,800 HOURS	
UE016	THERMOSTAT DEICE STUD
UE335	ROTARY SWITCH 3 SPEED COMPLETE WITH NUT
AU521946	THERMAL EXPANSION VALVE BLOCK 2T 3/8" IN 1/2" OUT R134A

SPECIFICATIONS

	METRIC	IMPERIAL
Cooling Capacity	4.0 kW	13,648 BTU
Heating Capacity (Optional)	3.5 kW	11,942 BTU
Air Flow	110 l/s	233 CFM
Fresh Air	30 l/s	64 CFM
Power Supply	24 VDC	24 VDC
Current Draw	5 A	5 A
Refrigerant	R134a	R134a
Maximum Ambient Temperature	46°C	115°F
Weight (nominal)	10.0 Kg	22.0 lbs
Technical Manual Reference	SM260-2494	SM260-2494
Dimension L X W X H	497 mm X 390 mm X 180 mm	19.6 in X 15.4 in X 7.1 in

COMPANION ITEMS





PART NO.	DESCRIPTION
FVV40	Pressuriser
H0404763	Hydraulic Driven Compressor 150 (Vertical)
H0428289	Electric Compressor 24V
AU110312	Radiator Condenser
AU110316	Radiator Condenser
AU110388	Radiator Condenser
AU270311	Compressor UP150 2A 24V VMO 132 OD PAG
AU270312	Compressor UP150 1B 24V VMO 135 OD PAG
KIT25014	Heater Kit
AU270008	Engine Driven Compressor
AU270007	Engine Driven Compressor
EC12C2	Electric Condenser 12 V
EC12C4	Electric Condenser 24 V

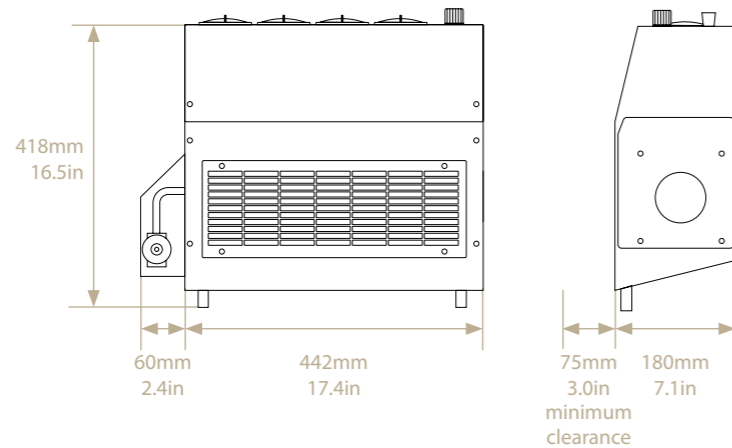
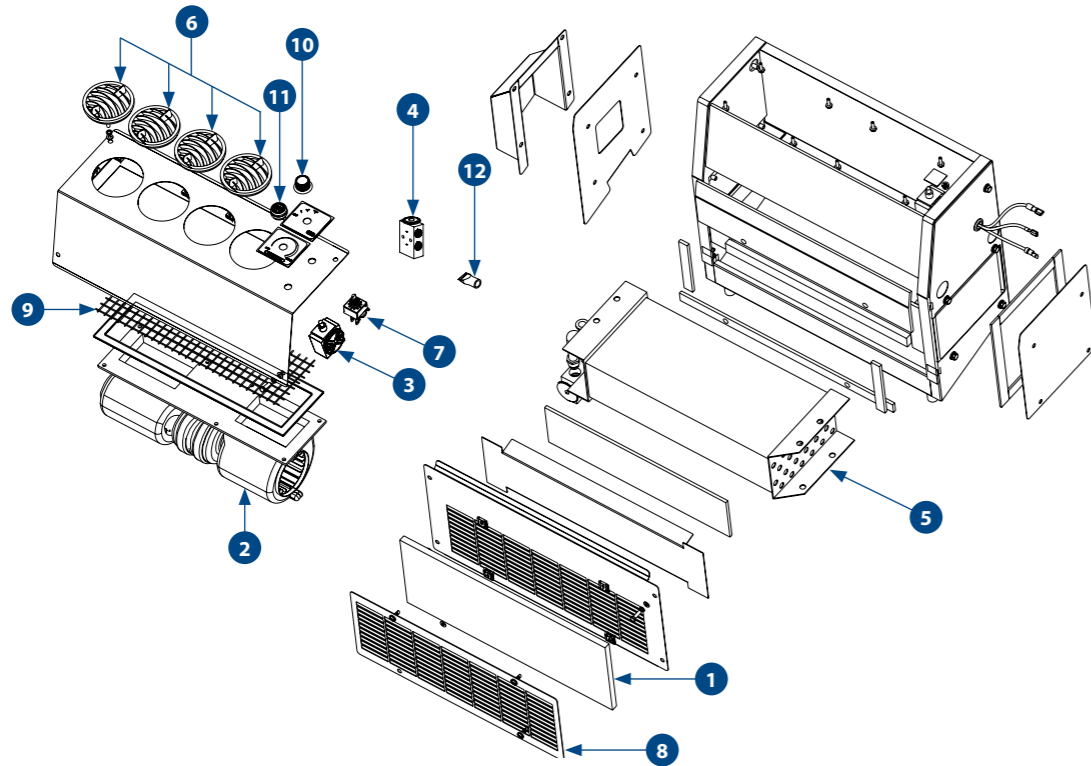


EC1214

INTERNAL EVAPORATOR

EC1214
Internal Wall Mount Evaporator 4kW 24V

 COOLING 4.0 kW 13,648 BTU	 HEATING (OPTION) 3.5 kW 11,942 BTU
 POWER SUPPLY 24VDC	 AIR FLOW 110 l/s 233 CFM



SPARE PARTS

PART NO.	DESCRIPTION	QTY
1 S2501182S	EVAPORATOR FILTER MEDIA 385MM X 145MM	1
2 AU400034	FAN DECK 24V 3SPD (EC1214)	1
3 UE016	THERMOSTAT DEICE STUD	1
4 AU521946	THERMAL EXPANSION VALVE BLOCK 2T 3/8" IN 1/2" OUT R134A	1
5 AU120480	EVAPORATOR COIL 345MM X 152MM X 79MM 4RW	1
6 AU821708	LOUVRE ROUND 3" HOLE	4
7 UE335	ROTARY SWITCH 3 SPEED COMPLETE WITH NUT	1
8 S2501021	FILTER COVER	1
9 S2501207	GRILLE 344MM X 100MM	1
10 UC451	KNOB 1/4 BLACK PLASTIC 21MM DIAMETER	1
11 UC022	KNOB SNOWFLAKE 6.35MM	1
12 UC504	DRAIN NOZZLE 13MM	4

MAINTENANCE

MONTHLY / 300 HOURS

S2501182S	EVAPORATOR FILTER MEDIA 385MM X 145MM
-----------	---------------------------------------

ANNUAL / 3,600 HOURS

AU400035	FAN DECK 12V 3SPD
AU400034	FAN DECK 24V 3SPD

3 YEARS / 10,800 HOURS

UE016	THERMOSTAT DEICE STUD
UE335	ROTARY SWITCH 3 SPEED COMPLETE WITH NUT
AU521946	THERMAL EXPANSION VALVE BLOCK 2T 3/8" IN 1/2" OUT R134A

SPECIFICATIONS

	METRIC	IMPERIAL
Cooling Capacity	4.0 kW	13,648 BTU
Heating Capacity (Optional)	3.5 kW	11,942 BTU
Air Flow	110 l/s	233 CFM
Fresh Air	30 l/s	64 CFM
Power Supply	24 VDC	24 VDC
Current Draw	5 A	5 A
Refrigerant	R134a	R134a
Maximum Ambient Temperature	46°C	115°F
Weight (nominal)	10.0 Kg	22.0 lbs
Technical Manual Reference	SM260-2494	SM260-2494
Dimension L X W X H	550 mm X 180 mm X 418 mm	21.7 in X 7.1 in X 16.5 in

COMPANION ITEMS

PART NO.	DESCRIPTION
FVV40	Pressuriser
H0404763	Hydraulic Driven Compressor 150 (Vertical)
H0428289	Electric Compressor 24V
AU110312	Radiator Condenser
AU110316	Radiator Condenser
AU110388	Radiator Condenser
AU270311	Compressor UP150 2A 24V VMO 132 OD PAG
AU270312	Compressor UP150 1B 24V VMO 135 OD PAG
KIT25014	Heater Kit
AU270008	Engine Driven Compressor
AU270007	Engine Driven Compressor
EC12C2	Electric Condenser 12 V
EC12C4	Electric Condenser 24 V

EC22C4

REMOTE CONDENSER

EC22C4

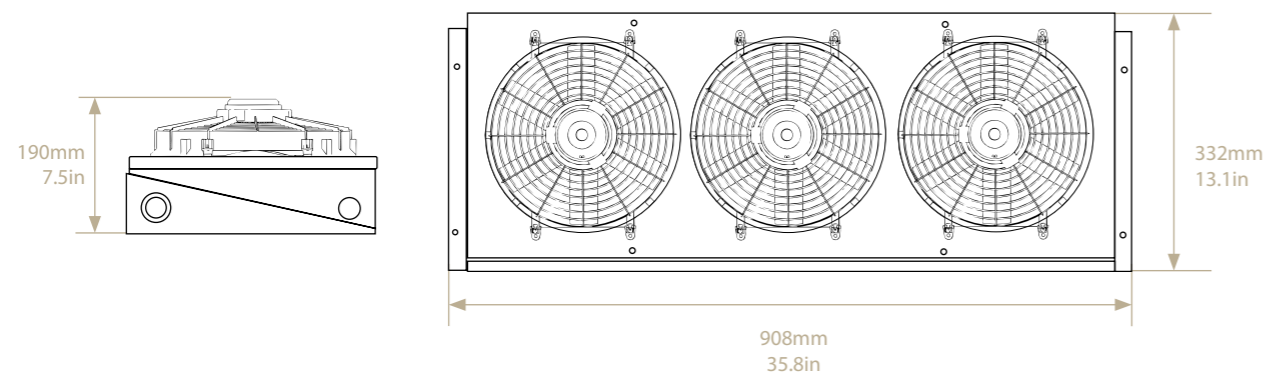
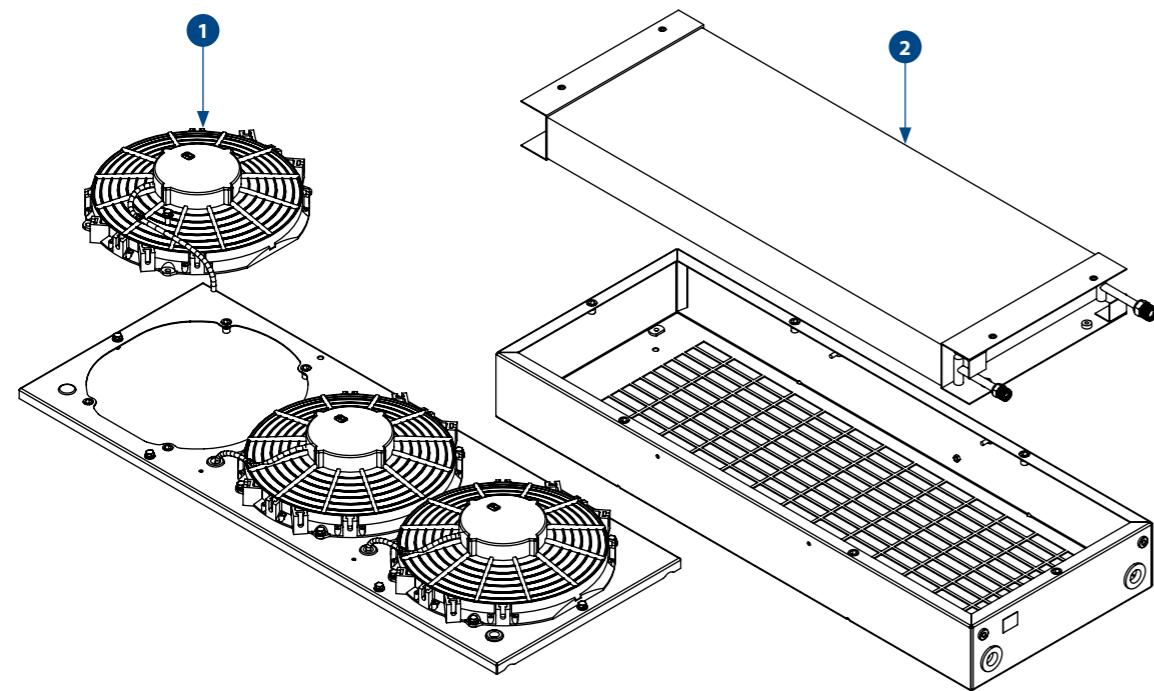
Remote Condenser

EC22C4SS

Remote Condenser (Stainless Steel)

 **COOLING**
6.0 kW
20,472 BTU

 **POWER SUPPLY**
24VDC



SPARE PARTS

PART NO.	DESCRIPTION	QTY
1 H0214932	FAN AXIAL ASSEMBLY 260MM 24VDC (EC22C4)	3
2 AU110388	CONDENSER COIL 800x282x70 (EC22C4)	1
AU110389	CONDENSER COIL 800x282x70 (EC22C4SS)	1

SPECIFICATIONS

	METRIC	IMPERIAL
Cooling Capacity	6.0 kW	20,472 BTU
Fan Speeds	1	1
Power Supply	24 VDC	24 VDC
Current Draw	13 A	13 A
Refrigerant	R134a	R134a
Maximum Ambient Temperature	46°C	115°F
Weight (nominal)	14.0 Kg	30.8 lbs
Technical Manual Reference	SM260-2494	SM260-2494
Dimension L X W X H	908 mm X 332 mm X 190 mm	35.8 in X 13.1 in X 7.5 in

MAINTENANCE

ANNUAL / 3,600HOURS

H0214932 FAN AXIAL ASSEMBLY 260MM 24VDC

COMPANION ITEMS





PART NO.	DESCRIPTION
EC22H4	Hoodliner Evaporator (24V)
FV40	Pressuriser
H0404763	Hydraulic Driven Compressor 150 (Vertical)
AU270306	Compressor UP170 2A 24V VMO 132 OD PAG
AU270307	Compressor UP170 1B 24V VMO 135 PAG
AU270311	Compressor UP150 2A 24V VMO 132 OD PAG
AU270312	Compressor UP150 1B 24V VMO 135 OD PAG
AU531422	Receiver Drier

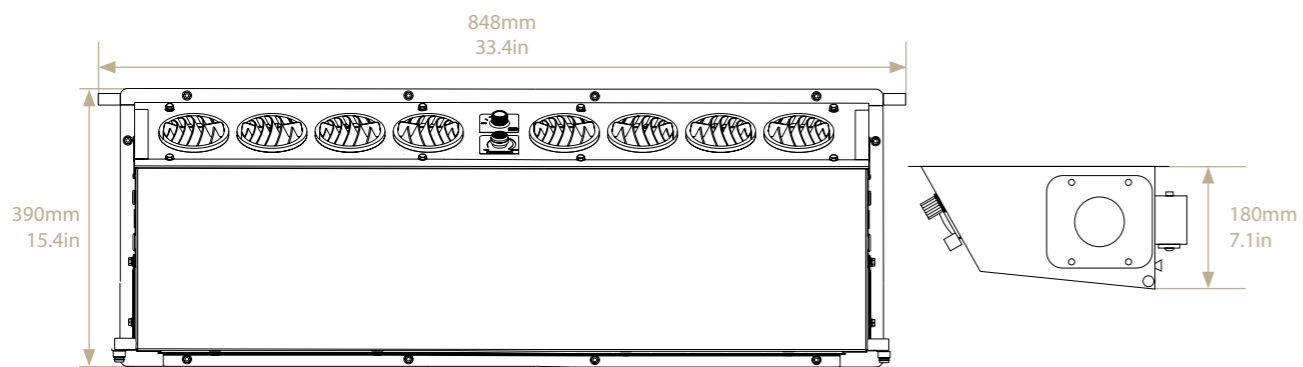
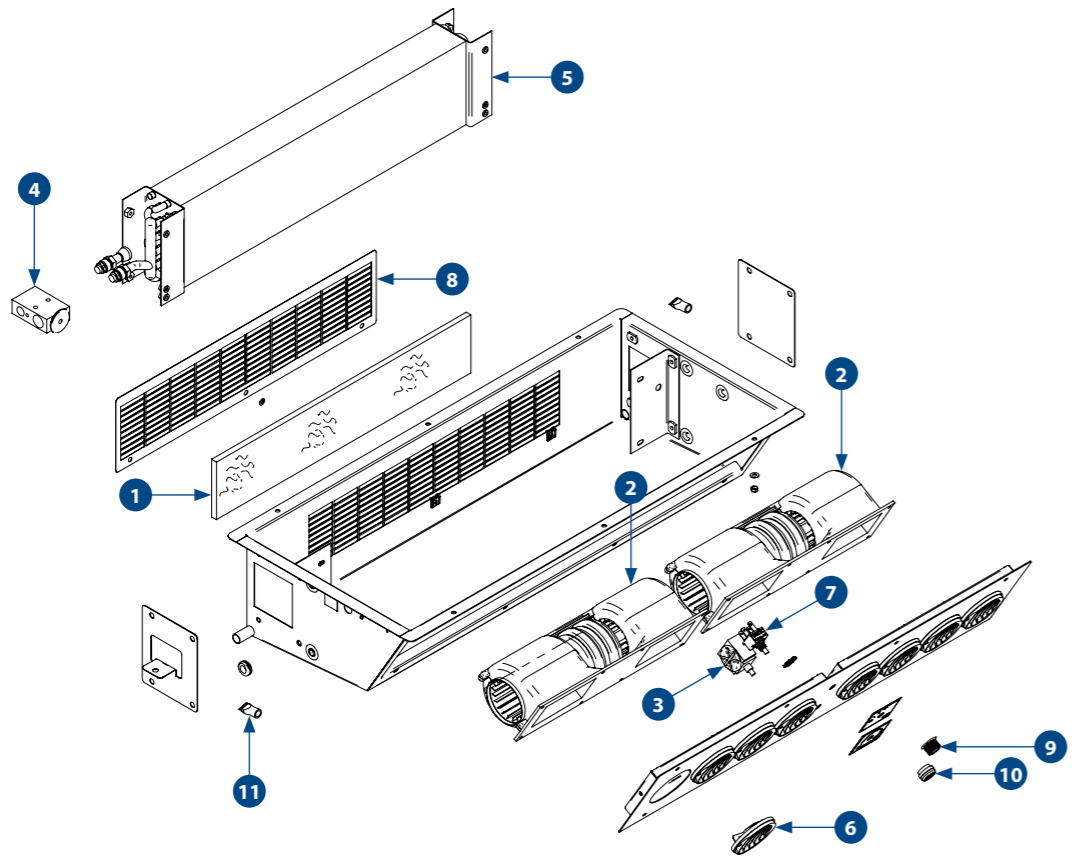


EC22H4

CEILING EVAPORATOR

EC22H4 Ceiling Evaporator

	COOLING 6.0 kW 20,472 BTU		HEATING (OPTION) 3.8 kW 12,966 BTU
	POWER SUPPLY 24VDC		AIR FLOW 220 l/s 466 CFM



SPARE PARTS

PART NO.	DESCRIPTION	QTY
1 S2502084	FILTER MEDIA	1
2 AU400034	FAN DECK 24V 3SPEED (EC22H4)	2
3 UE016	THERMOSTAT DEICE STUD	1
4 AU521946	THERMAL EXPANSION VALVE BLOCK 2T 3/8" IN 1/2" OUT R134A	1
5 AU120660	EVAPORATOR COIL 600MM X 152MM X 63MM 4RW EC22H	1
6 AU821708	LOUVRE ROUND 3" HOLE	8
7 UE335	ROTARY SWITCH 3 SPEED COMPLETE WITH NUT	1
8 S2502024	FILTER COVER	1
9 UC451	KNOB 1/4 BLACK PLASTIC 21MM DIAMETER	1
10 UC022	KNOB SNOWFLAKE 6.35MM	1
11 UC504	DRAIN NOZZLE 13MM	2

SPECIFICATIONS

	METRIC	IMPERIAL
Cooling Capacity	6.0 kW	20,472 BTU
Heating Capacity (with Optional Kit)	3.8 kW	12,966 BTU
Fan Speeds	3	3
Air Flow	220 l/s	466 CFM
Power Supply	24 VDC	24 VDC
Current Draw	12 A	12 A
Refrigerant	R134a	R134a
Maximum Ambient Temperature	46°C	115°F
Weight (nominal)	14.0 Kg	30.8 lbs
Technical Manual Reference	SM260-2494	SM260-2494
Dimension L X W X H	848 mm X 390 mm X 180 mm	33.4 in X 15.4 in X 7.1 in

MAINTENANCE

MONTHLY / 300 HOURS	
S2502084	RETURN AIR FILTER MEDIA
ANNUAL / 3,600 HOURS	
AU400034	FAN DECK 24V 3SPD
3 YEARS / 10,800 HOURS	
UE016	THERMOSTAT DEICE STUD
UE335	ROTARY SWITCH 3 SPEED COMPLETE WITH NUT
AU521946	TX VALVE BLOCK 2T 3/8" IN 1/2" OUT R134A

COMPANION ITEMS


PART NO.	DESCRIPTION
EC22C4	Electric Condenser 24V
FVV40	Pressuriser
H0404763	Hydraulic Compressor
H0428289	Electric Compressor 24V
AU110388	CONDENSER COIL 800x282x70 4RW 0.13mm
AU270306	Compressor UP170 2A 24V VMO 132 OD PAG
AU270307	Compressor UP170 1B 24V VMO 135 PAG
AU270311	Compressor UP150 2A 24V VMO 132 OD PAG
AU270312	Compressor UP150 1B 24V VMO 135 OD PAG
KIT25021	EC22H Heater Kit
KNHV90019	Vertical Mount Drain Tray
AU270008	Engine Driven Compressor
AU270007	Engine Driven Compressor

ECW6BX1

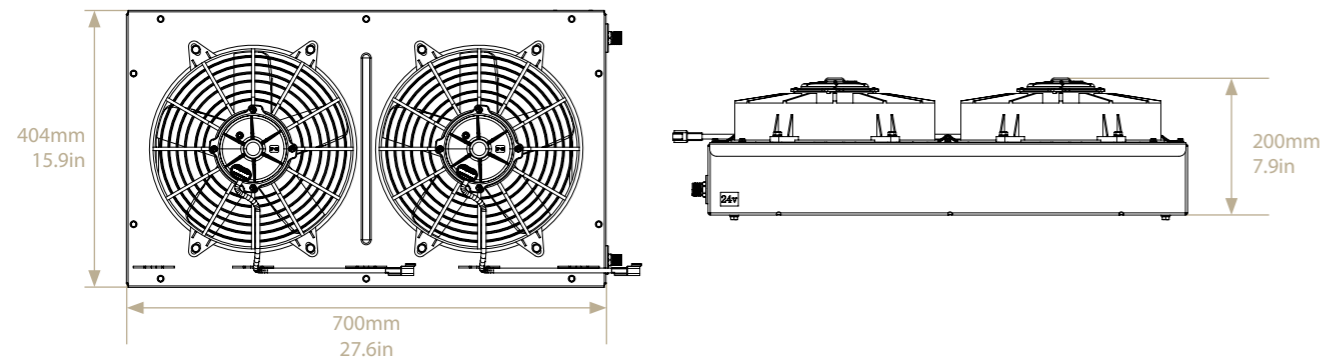
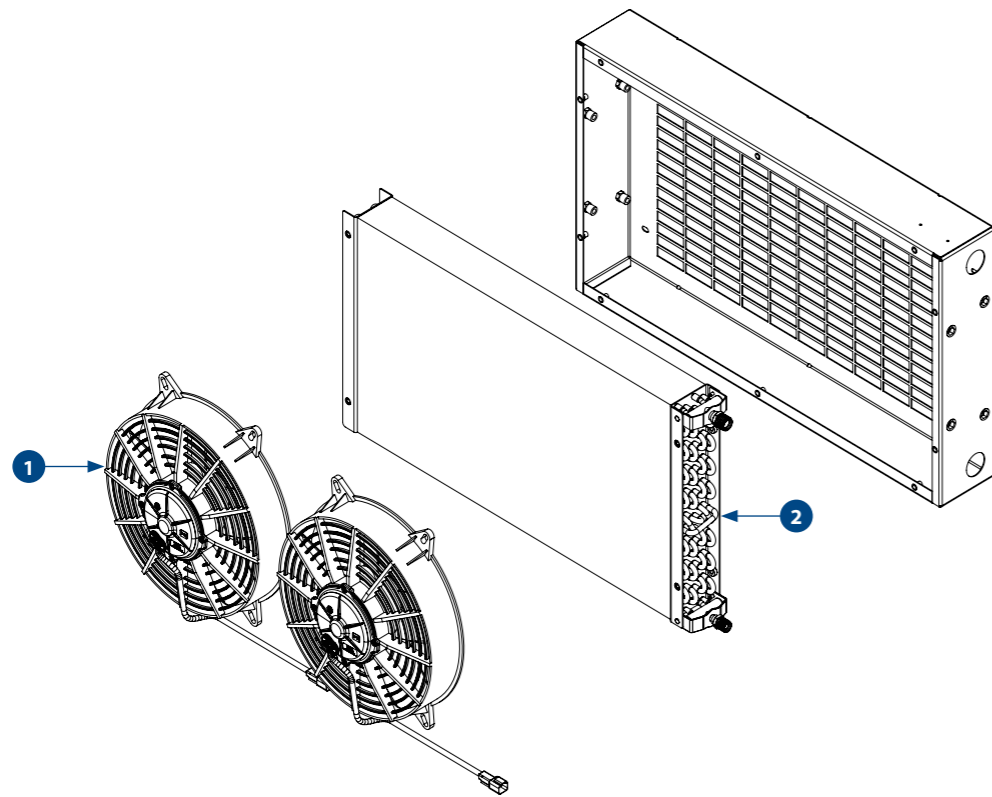
WALL MOUNTED CONDENSER

H0204590

Wall mounted Condenser

 **COOLING**
6.5 kW
22,180 BTU

 **POWER SUPPLY**
24 VDC



SPARE PARTS

PART NO.	DESCRIPTION	QTY
1 H0204604	CONDENSER COIL	1
2 H0207769	CONDENSER FAN ASSEMBLY	2

SPECIFICATIONS

	METRIC	IMPERIAL
Cooling Capacity	6.5kW	22,180 BTU
Fan Speeds	1	1
Power Supply	24VDC	24VDC
Current Draw	15 A	15 A
Refrigerant	R134a	R134a
Maximum Ambient Temperature	46°C	115 °F
Weight (nominal)	19.5 Kg	42.9lbs
Dimension L X W X H	700mm X 405mm X 200mm	27.5 in X 15.9in X 7.8in

MAINTENANCE

ANNUAL / 3,600 HOURS

H0207769 CONDENSER FAN ASSEMBLY

COMPANION ITEMS




PART NO.	DESCRIPTION
EC22H4	Hoodliner Evap
EFF5BX3	Evap Floor Mounted
H0404765	Hydraulic Driven Compressor 170 (Vertical)
AU270306	Compressor UP170 2A 24V VMO 132 OD PAG
AU270307	Compressor UP170 1B 24V VMO 135 PAG
AU531422	Receiver Drier
AU531601	Receiver Drier

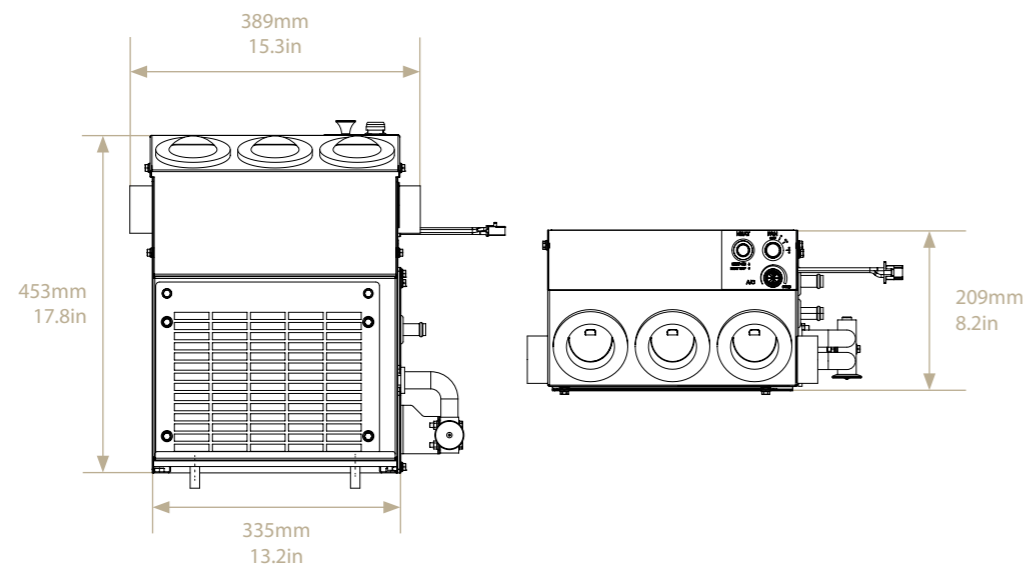
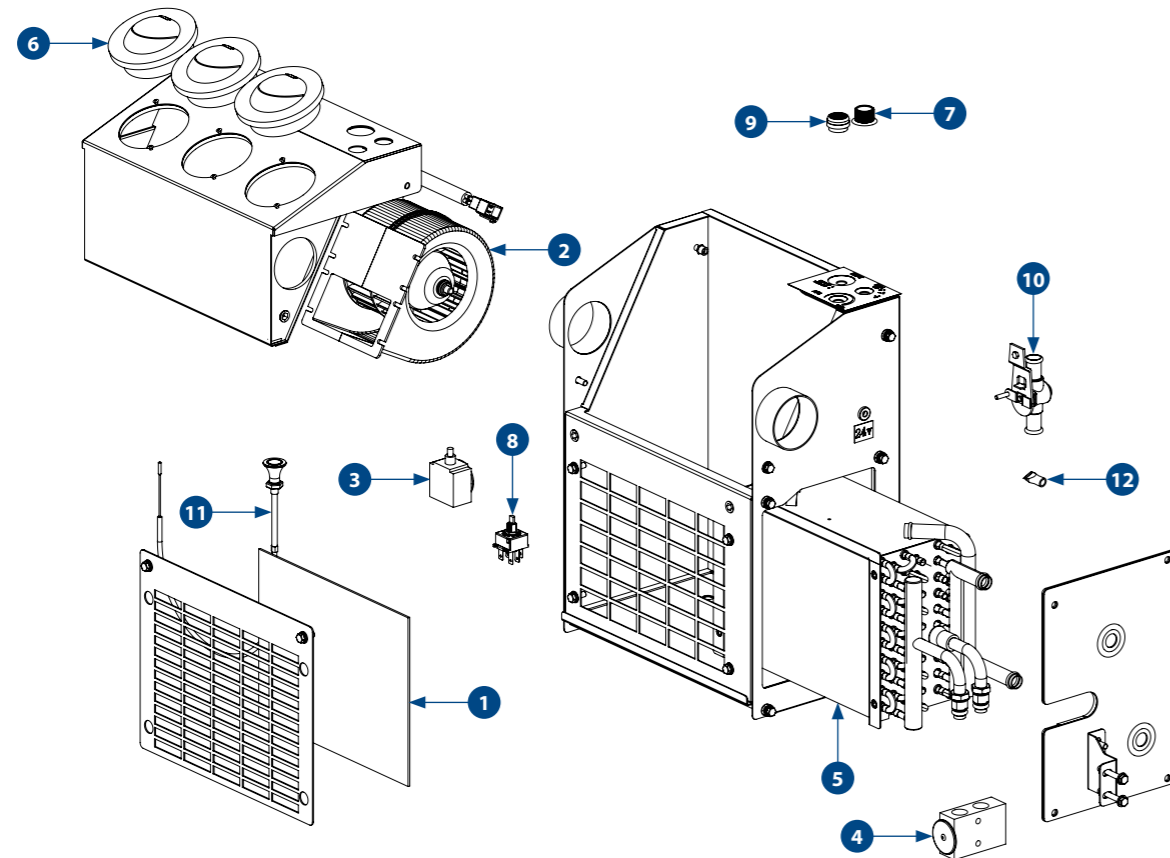
EFF4BX1

INTERNAL EVAPORATOR

EFF4BX1

Internal Evaporator with Heating

	COOLING 4.0 kW 13,648 BTU		HEATING 4.0 kW 13,648 BTU
	POWER SUPPLY 24 VDC		AIR FLOW 100 l/s 212 CFM



SPARE PARTS

PART NO.	DESCRIPTION	QTY
1	S3938009 FILTER MEDIA	1
2	AU4001001 FAN DECK 24V 3SPEED	1
3	UE016 THERMOSTAT DEICE STUD	1
4	AU521946 TX VALVE	1
5	AU1201012 EVAPORATOR + HEATER COIL 250MM X 190MM X 66MM	1
6	AU821301 DIFFUSER ROUND 75MM PLASTIC	3
7	UC451 KNOB 1/4 BLACK PLASTIC 21MM DIAMETER	1
8	UE335 ROTARY SWITCH 3-SPEED C/W NUT	1
9	UC022 KNOB SNOWFLAKE 6.35MM	1
10	AU744827 VALVE WATER 16MM	1
11	UC042 CABLE PUSH/PULL F/DRIVE 1500MM	1
12	UC504 DRAIN NOZZLE 13MM	2

SPECIFICATIONS

	METRIC	IMPERIAL
Cooling Capacity	4.0 kW	13,648 BTU
Heating Capacity	4.0 kW	13,648 BTU
Fan Speeds	3	3
Air Flow	100 l/s	212 CFM
Power Supply	24 VDC	24 VDC
Current Draw	6 A	6 A
Refrigerant	R134a	R134a
Maximum Ambient Temperature	46 °C	115 °F
Weight (nominal)	15.0 Kg	33.0 lbs
Technical Manual Reference	SM518-3938	SM518-3938
"Dimension L X W X H"	389 mm X 209 mm X 453 mm	15.3 in X 8.2 in X 17.8 in

MAINTENANCE

MONTHLY / 300 HOURS

S3938009	FILTER MEDIA
----------	--------------

ANNUAL / 3,600 HOURS

AU4001001	FAN DECK 24V 3SPEED
-----------	---------------------

3 YEARS / 10,800 HOURS

UE016	THERMOSTAT DEICE STUD
AU521946	TX VALVE
UE335	ROTARY SWITCH 3 SPEED

COMPANION ITEMS

PART NO.	DESCRIPTION
EC12C4	Electric Condenser
FVV40	Pressuriser
H0404763	Hydraulic Driven Compressor 150 (Vertical)
H0428289	Electric Compressor 24 V
AU110388	Radiator Condenser
AU270311	Compressor UP150 2A 24V VMO 132 OD PAG
AU270312	Compressor UP150 1B 24V VMO 135 OD PAG
AU531422	Receiver Drier
AU110312	Radiator Condenser
AU270008	Engine Driven Compressor
AU270007	Engine Driven Compressor



EFF5BX3

FLOOR MOUNTED EVAPORATOR

EFF5BX3

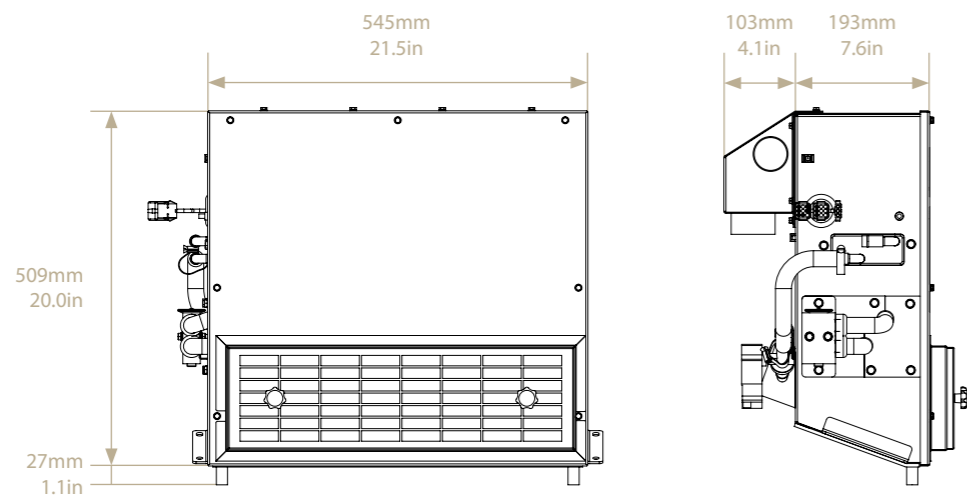
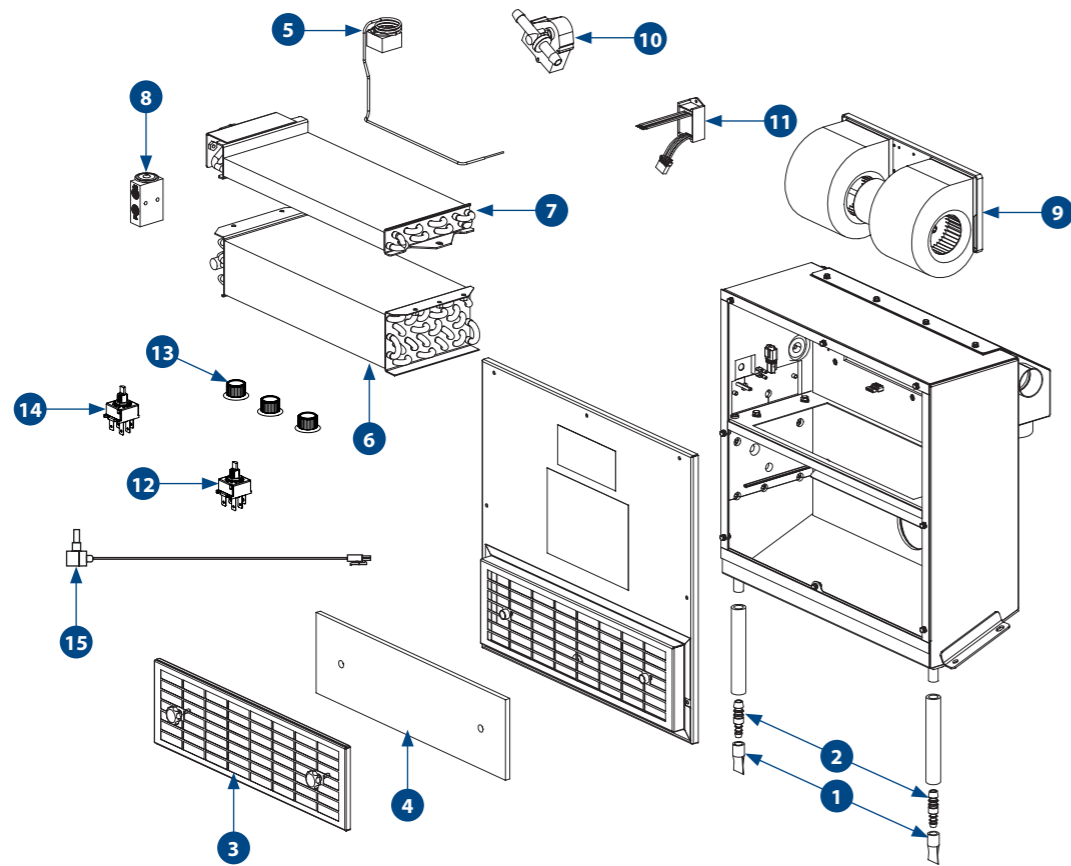
Floor Mounted Evaporator with Heating

COOLING
 5.0 kW
 17,061 BTU

HEATING
 6.0 kW
 20,473 BTU

POWER SUPPLY
 24 VDC

AIR FLOW
 100 l/s
 212 CFM



SPARE PARTS

PART NO.	DESCRIPTION	QTY
1 UC504	DRAIN NOZZLE 13MM	2
2 H0122713	HOSE JOINER 5/8 X 1/2 BARB PLASTIC	2
3 H0290673	RETURN AIR FILTER PANEL ASSEMBLY	1
4 H0093153	RETURN AIR FILTER	1
5 UE016	THERMOSTAT DEICE STUD	1
6 H0092745	EVAPORATOR COIL 416MM X 178MM X 95MM 6 ROW	1
7 H0092744	HEATER COIL 416MM X 178MM X 32MM 2 ROW	1
8 AU521946	TX VALVE BLOCK 2T 3/8" IN 1/2" OUT R134A	1
9 AU400051	FAN DECK 24V 3SPEED	1
10 AU5221004	2-PORT 5/8" ELECTRIC HEATER CONTROL VALVE	1
11 AU6811008	HEATER VALVE CONTROL MODULE	1
12 AU663118	ROTARY SWITCH 2 POSITION 45 DEGREE	1
13 UC451	KNOB 1/4 BLACK PLASTIC 21MM DIAMETER	3
14 UE335	ROTARY SWITCH 3 SPEED COMPLETE WITH NUT	1
15 H0147952	POTENTIOMETER ASSEMBLY	1

SPECIFICATIONS

	METRIC	IMPERIAL
Cooling Capacity	5.0 kW	17,061 BTU
Heating Capacity	6.0 kW	20,473 BTU
Fan Speeds	3	3
Air Flow	100 l/s	212 CFM
Power Supply	24 VDC	24 VDC
Current Draw	6 A	6 A
Refrigerant	R134a	R134a
Maximum Ambient Temperature	46 °C	115 °F
Weight (nominal)	15.0 Kg	33.0 lbs
Technical Manual Reference	SM518-3938	SM518-3938
Dimension L X W X H	545 mm X 296 mm X 536 mm	21.5 in X 11.7 in X 21.1 in

MAINTENANCE

MONTHLY / 300 HOURS

H0093153 RETURN AIR FILTER

3 YEARS / 10,800 HOURS

UE016	THERMOSTAT DEICE STUD
AU521946	TX VALVE BLOCK 2T 3/8" IN 1/2" OUT R134A
AU400051	FAN DECK 24V 3SPEED
AU5221004	2-PORT 5/8" ELECTRIC HEATER CONTROL VALVE
UE335	ROTARY SWITCH 3 SPEED COMPLETE WITH NUT

COMPANION ITEMS

PART NO.	DESCRIPTION
EC22C4	Remote Condenser 6kW 24V
H0204590	ECW6BX1 - 6.5kW Wall mounted Condenser (24 VDC)
FVV40	Pressuriser
H0404763	Hydraulic Driven Compressor 150 (Vertical)
AU270306	Compressor UP170 2A 24V VMO 132 OD PAG
AU270307	Compressor UP170 1B 24V VMO 135 PAG
AU270311	Compressor UP150 2A 24V VMO 132 OD PAG
AU270312	Compressor UP150 1B 24V VMO 135 OD PAG
AU531422	Receiver Drier with Sight Glass

EFR4BX1

ROOFTOP EVAPORATOR

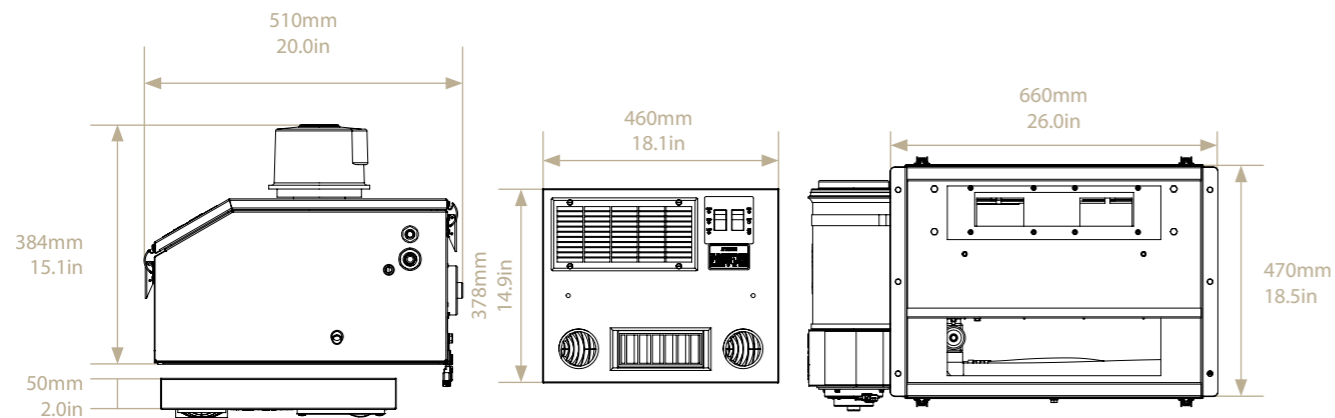
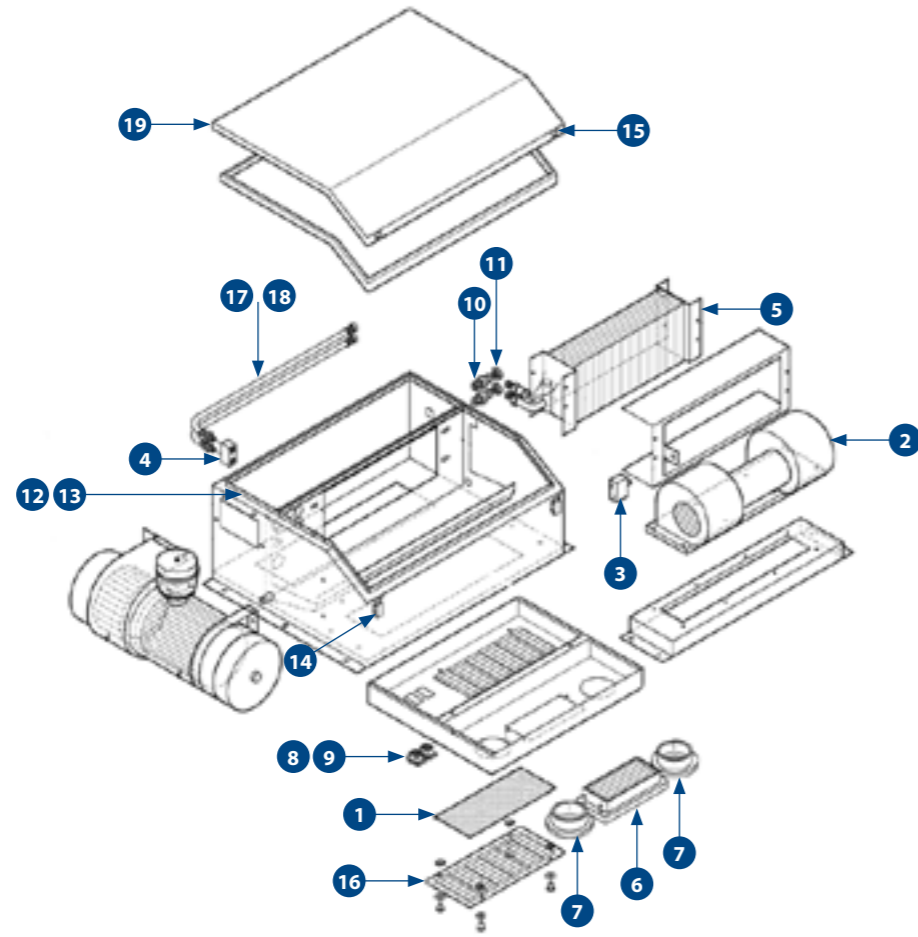
EFR4BX1

Rooftop Evaporator

 **COOLING**
4.0 kW
13,648 BTU

 **POWER SUPPLY**
24 VDC

 **AIR FLOW**
100 l/s
212 CFM



SPARE PARTS

PART NO.	DESCRIPTION	QTY
1	S2501180 RETURN AIR FILTER MEDIA	1
2	AU400034 FAN DECK 24V 3SPEED	1
3	UE016 THERMOSTAT DEICE STUD	1
4	AU521946 TX VALVE	1
5	AU120480 EVAPORATOR COIL 345MM X 152MM X 79MM 4RW	1
6	AU821707 DIFFUSER 196MM X 83MM PLASTIC	1
7	AU821708 LOUVRE ROUND 3" HOLE	2
8	AU662969 SWITCH ROCKER IP68 24V 15A	1
9	AU662968 SWITCH ROCKER IP68 24V 15A GREEN LED	1
10	AU512C067 BULKHEAD FITTING O-RING 5/8"	1
11	AU512C065 BULKHEAD FITTING O-RING 3/8"	1
12	AU862213 SEAL RUBBER	1
13	AU862211 SEAL RUBBER	3
14	UC048 LATCH TOGGLE OVER-CENTRE	4
15	UC047 KEEPER PLATE ZP	4
16	S2501172S RETURN AIR FILTER COVER	1
17	AU5551004 SUCTION LINE HOSE ASSEMBLY #10	1
18	AU5551005 LIQUID LINE HOSE ASSEMBLY #6	1
19	H0340232 EVAPORATOR COVER	2

SPECIFICATIONS

	METRIC	IMPERIAL
Cooling Capacity	4.0 kW	13648 BTU
Fan Speeds	3	3
Air Flow	100 L/s	212 CFM
Fresh Air	30 L/s	64 CFM
Power Supply	24VDC	24VDC
Current Draw	8 A	8 A
Refrigerant	R134A	R134A
Maximum Ambient Temperature	46°C	115°F
Weight (nominal)	25.0 Kg	55.0 lbs
Dimension L X W X H	470mm X 600mm X 260mm	18.5in X 23.6in X 10.2in

MAINTENANCE

MONTHLY / 300 HOURS

S2501180 RETURN AIR FILTER MEDIA

ANNUAL / 3,600 HOURS

AU400034 FAN DECK 24V 3SPEED

3 YEARS / 10,800 HOURS

UE016 THERMOSTAT DEICE STUD

AU521946 TX VALVE

COMPANION ITEMS





PART NO.	DESCRIPTION
FVV40	Pressuriser
H0404763	Hydraulic Driven Compressor 150 (Vertical)
H0428289	Electric Compressor (24 V)
AU110388	Radiator Condenser
AU270311	Compressor UP150 2A 24V VMO 132 OD PAG
AU531422	Receiver Drier
AU1101021	Radiator Condenser
AU110312	Radiator Condenser
AU270008	Engine Driven Compressor
AU270007	Engine Driven Compressor
EC12C4	Electric Condenser 24 V

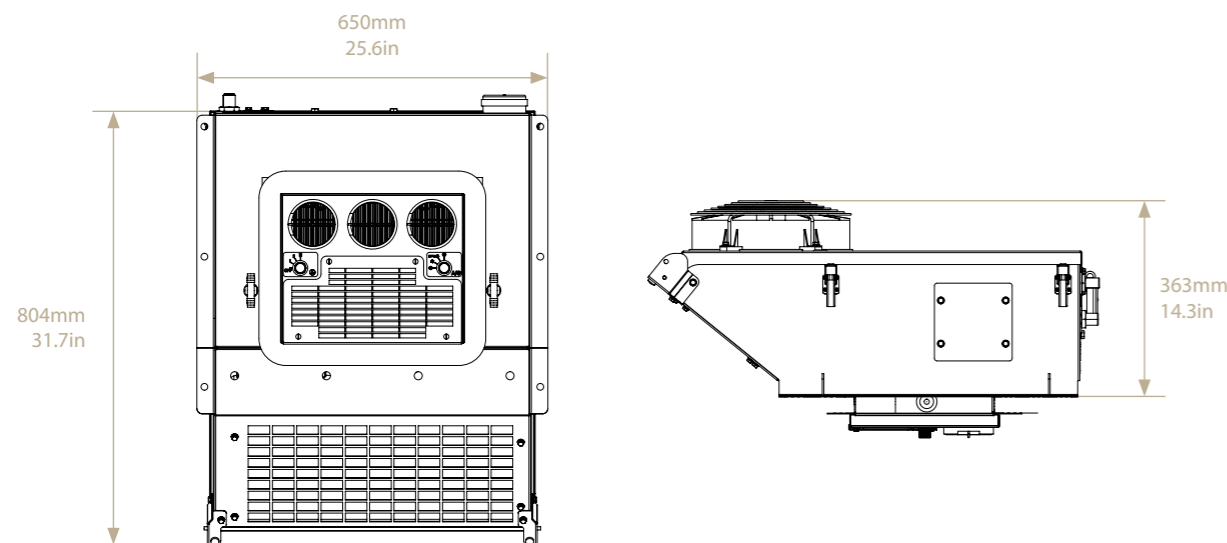
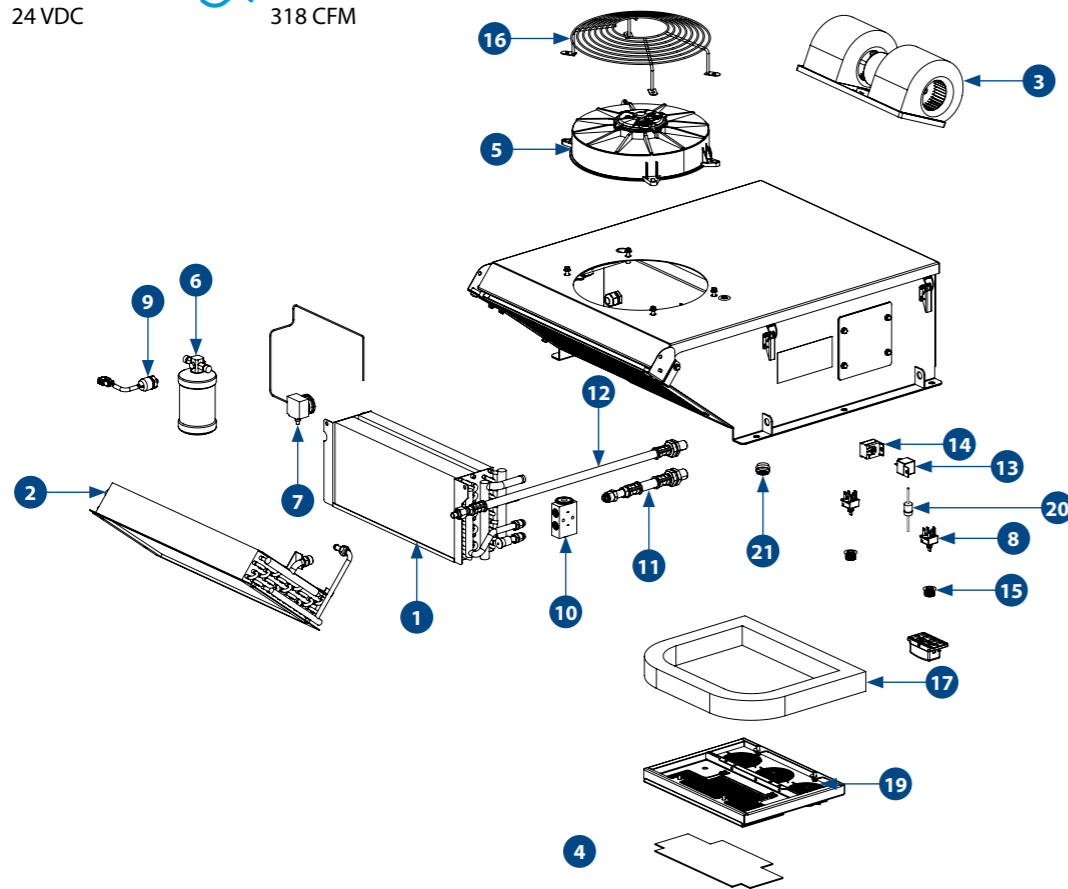
EPR4

ROOFTOP HVAC PACKAGE

EPR4AX1
Rooftop Packaged HVAC 4.5kW 12V

EPR4BX1
Rooftop Packaged HVAC 4.5kW 24V

 COOLING 4.5 kW 15,354 BTU	 HEATING 4.0 kW 13,648 BTU
 POWER SUPPLY 12 V DC 24 VDC	 AIR FLOW 150 l/s 318 CFM



SPARE PARTS

PART NO.	DESCRIPTION	QTY
1	H0032385 EVAPORATOR HEATER COIL	2
2	H0002358 CONDENSER COIL	2
3	AU400050 BLOWER ASSEMBLY 3SPEED 12V (EPR4AX1) H0088451 BLOWER ASSEMBLY 3SPEED 24V (EPR4BX1)	1
4	H0044857 PLENUM RETURN AIR FILTER MEDIA	1
5	H0097521 CONDENSER FAN ASSEMBLY 280MM 12V (EPR4AX1) H0088425 CONDENSER FAN ASSEMBLY 280MM 24V (EPR4BX1)	1
6	AU531422 RECEIVER DRIER 134A	2
7	UE016 THERMOSTAT DEICE STUD	2
8	UE335 SWITCH 3-SPEED C/W NUT	2
9	UE064 HIGH / LOW PRESSURE SWITCH	1
10	H0092214 TX VALVE BLK 1.5T R134A	1
11	H0052679 FLEX HOSE #10 MOR-FTG B/HD & STR	1
12	H0052678 FLEX HOSE #8 MOR-FTG B/HD & STR	1
13	AU661482 RELAY 30A 12V (EPR4AX1) AU661483 RELAY 20A 24V (EPR4BX1)	3
14	ERR023 RELAY BASE 5 PIN (PANEL MOUNT) AX1 ERR023 RELAY BASE 5 PIN (PANEL MOUNT) BX1	3
15	UC451 KNOB 1/4 BLACK PLASTIC 21MM DIAMETER	2
16	H0047048 CONDENSER FAN GUARD	1
17	H0042481 EPR4 ROOF SEAL	1
18	UC048 TOGGLE	4
19	AU821704 DIFFUSER ROUND 92MM PVC	3
20	H0283545 DIODE FOR EPR4AX1	1
21	UC022 KNOB SNOWFLAKE 6.35mm	1

SPECIFICATIONS

	METRIC	IMPERIAL
Cooling Capacity	4.5 kW	15,354 BTU
Heating Capacity (with Optional Kit)	4.0 kW	13,648 BTU
Fan Speeds	3	3
Air Flow	150 l/s	318 CFM
Power Supply	12V / 24V	12V / 24V
Current Draw	40 A / 20 A	40 A / 20 A
Refrigerant	R134a	R134a
Maximum Ambient Temperature	46°C	115°F
Weight (nominal)	47 kgs	103.4 lbs
Technical Manual Reference	HD0019477	HD0019477
Dimension (L X W X H)	804mm X 650mm X 363mm	31.7in X 25.6in X 14.3in

MAINTENANCE

MONTHLY / 300 HOURS

H0044857	PLENUM RETURN AIR FILTER MEDIA
----------	--------------------------------

ANNUAL / 3,600 HOURS

AU400050	BLOWER ASSEMBLY 3SPEED 12V (EPR4AX1)
H0088451	BLOWER ASSEMBLY 3SPEED 24V (EPR4BX1)
H0097521	CONDENSER FAN ASSEMBLY 280MM 12V (EPR4AX1)
H0088425	CONDENSER FAN ASSEMBLY 280MM 24V (EPR4BX1)
AU531422	RECEIVER DRIER 134A

3 YEARS / 10,800 HOURS

UE016	THERMOSTAT DEICE STUD
UE335	SWITCH 3-SPEED C/W NUT
UE064	HIGH / LOW PRESSURE SWITCH
H0092214	TX VALVE BLOCK 1.5T R134a

COMPANION ITEMS

PART NO.	DESCRIPTION
H0038939	Heater Kit (24V)
H0097524	Heater Kit (12V)
FVV40	Pressuriser (24V)
H0404763	Hydraulic Driven Compressor 150 (Vertical)
H0428289	Electric Compressor (24V)
AU270306	Compressor UP170 2A 24V VMO 132 OD PAG
AU270307	Compressor UP170 1B 24V VMO 135 PAG
AU270311	Compressor UP150 2A 24V VMO 132 OD PAG