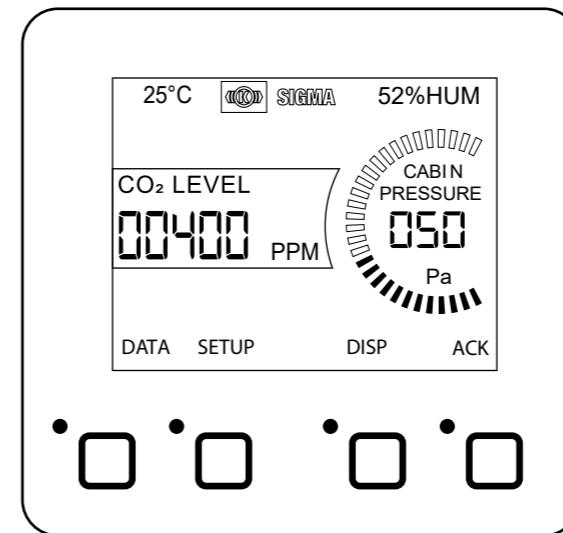


CONTROLS

Physical interface to control equipment and monitor performance

MODEL	APPLICATION	PAGE
MEW1	MPR25MX1	100
H0134546	MPR9MX1, MPR9VX1	101
H0082302	MPR9MX1, MPR9VX1	102
H0552775	 SIGMA AIR SHIELD	103

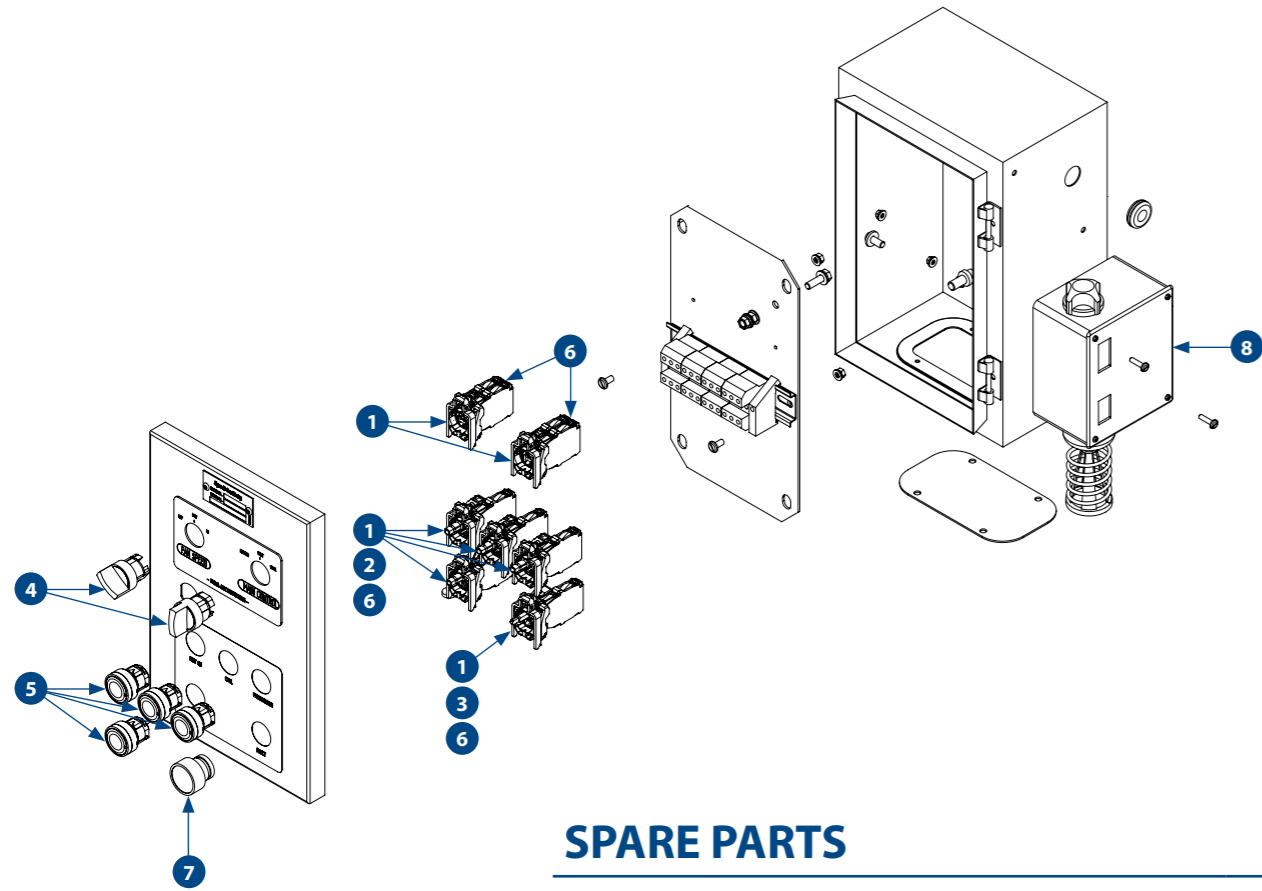




MEW11

PILOT CONTROL BOX

MEW11
Pilot Control Box 24V - 110V
for MPR25MX1



SPARE PARTS

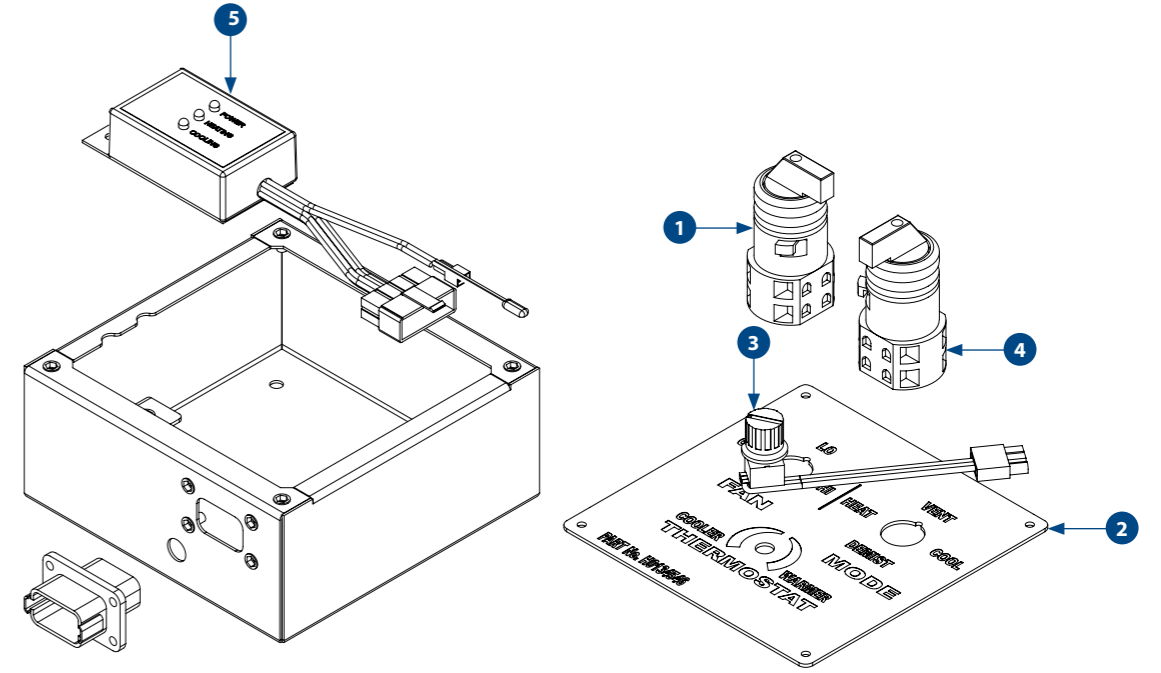
PART NO.	DESCRIPTION	QTY
1 AU662230	PUSH BUTTON SWITCH BASE	7
2 AU665451	LED GREEN	4
3 AU665452	LED RED	1
4 AU662233	ROTARY SWITCH 3 WAY	2
5 AU662234	PUSH BUTTON GREEN	4
6 AU662235	SWITCH CONTACT STANDARD	9
7 AU667167	PUSH BUTTON RED	1
8 AU681107	THERMOSTAT RT4 19 TO 30°C	1



H0134546

MANUAL CONTROL BOX

H0134546
Remote Control Box Assembly
for MPR9MX1 and MPR9VX1



SPARE PARTS

PART NO.	DESCRIPTION	QTY
1 H0129836	ROTARY SWITCH FAN	1
2 H0134548	REMOTE CONTROL BOX LABEL COVER	1
3 AU681926	POTENTIOMETER	1
4 AU663562	ROTARY SWITCH MODE	1
5 H0262987	THERMOSTAT	1



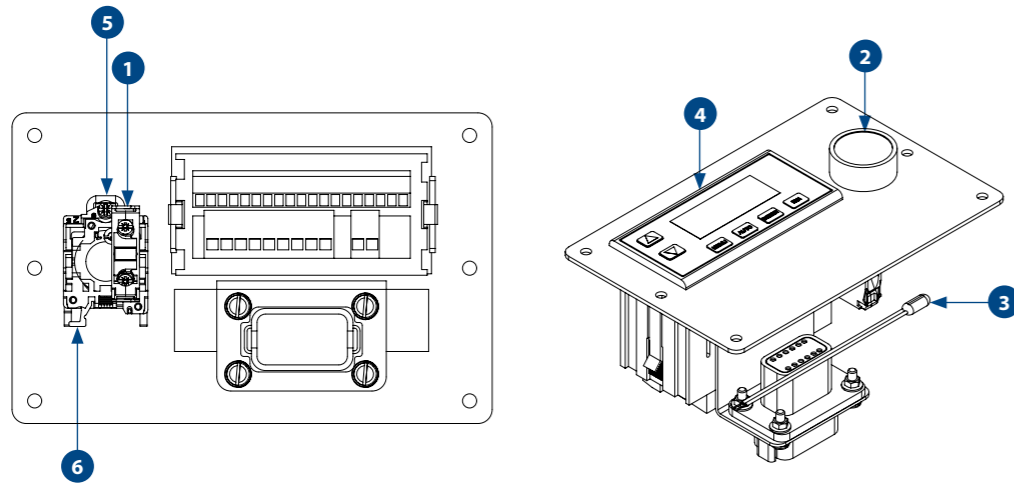


H0082302

ELECTRONIC CONTROL BOX

H0082302

Controller Display
for MPR9MX1 and MPR9VX1



SPARE PARTS

PART NO.	DESCRIPTION	QTY
1 AU662235	SWITCH CONTACT STANDARD	1
2 AU667167	PUSH BUTTON RED	1
3 AU6811015	THERMOSTAT SENSOR	1
4 AU679519	ELECTRONIC CONTROLLER	1
5 AU665452	LED RED	1
6 AU662230	PUSH BUTTON SWITCH BASE	1



H0552775

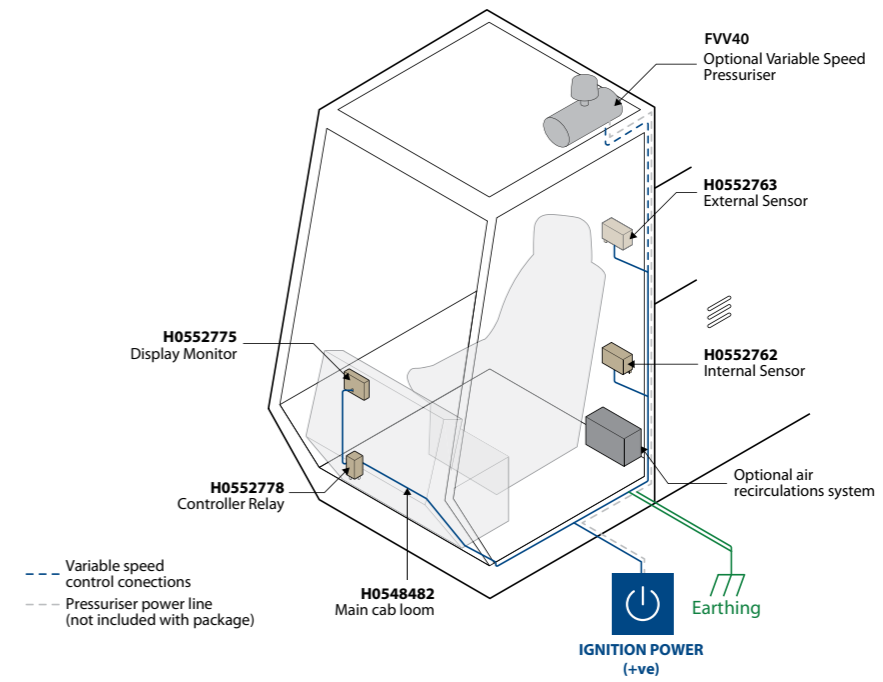
CABIN AIR SHIELD MONITORING SYSTEM

H0552775

12V/24V Display with Software



- DOZER
- DRAGLINE & SHOVEL
- DRILL
- EXCAVATOR
- FORKLIFT & TELEHANDLERS
- OVERHEAD CRANE
- RAIL SPECIAL VEHICLE
- TRUCK
- UNDERGROUND EQUIPMENT
- WHEEL LOADER



COMPANION ITEMS

PART NO.	DESCRIPTION
H0552762	INTERNAL SENSOR, INCLUDING SOFTWARE
H0552763	EXTERNAL SENSOR, INCLUDING SOFTWARE
H0552778	CONTROLLER, AIR QUALITY
H0548482	WIRING HARNESS, AIR QUALITY, MAIN CAB A
H0614665	24V BRUSHLESS FAN PRESSURISER 270